

OCTOBER 2024

Genesis Series

BY GREEN FOREST

WWW.GREENFORESTCABINTRY.COM



Samples & Sales Materials 4
Warranty & Policy Information 66

Cabinetry 5
Cabinet Specifications 5
Door Style Options..... 7
Rev-A-Shelf Options..... 12
Wall Cabinets..... 14
Wood Hoods..... 22
Base Cabinets..... 25
Tall Cabinets 33
Vanity Cabinets..... 36

ADA Cabinetry 39
Cabinet Specifications 39
Door Style Options..... 39
ADA Base Adaptable Cabinets 41
ADA Base Cabinets..... 42
ADA Vanity Adaptable Cabinets..... 44
ADA Vanity Cabinets 46
Accessories 47

Trim, Moulding, Accessories & Hardware..... 48
Door & End Panels 49
Trim & Moulding..... 53
Roll Out Shelves..... 59
Accessories 60
Hinges & Specialty Hardware 64

GREEN FOREST CABINETRY

SAMPLE BASE



Green Forest
Base Cabinet Sample
12" W x 34.5" T x 18" D,
with 1 adjustable shelf

SAMPBASE
60 NET

SAMPLE FACE FRAME DOOR



Green Forest
Sample Face Frame & Door
12" x 23½"

SAMPFFDOOR
20 NET

Sample shows Park Place White

SAMPLE DOOR



Green Forest
Sample Door, no face frame
12" x 15"

SAMPDOOR
15 NET

Sample shows Park Place White

TRIM SAMPLE KIT



Box of Moulding Samples
Includes 1 piece each of WHITE
CBACK XL, CR1, CR2, CR3, FBD5, FBS5,
ICM, LRAIL, LRAIL-D, LRAIL-S, OCM,
SCRIBE, SHOE, QROUND
Available in White only

TRIMSAMPKIT
30 NET

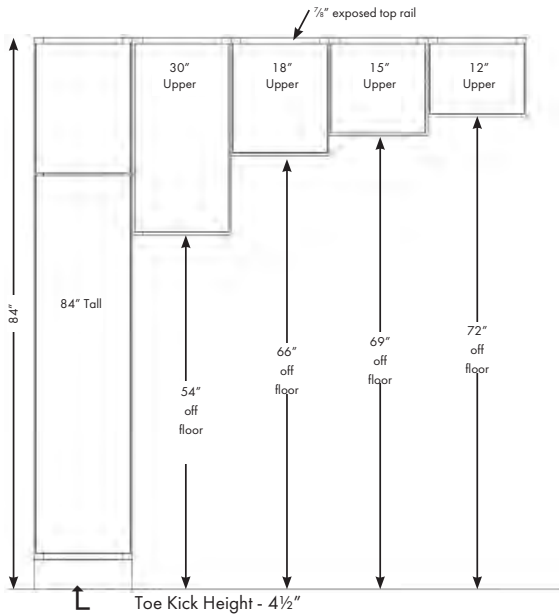
COLOR SAMPLE BLOCK



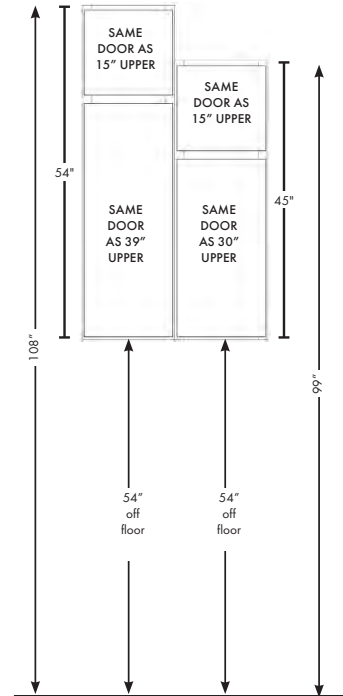
Green Forest
4¾" x 6" color sample

SBLOCK
3 NET

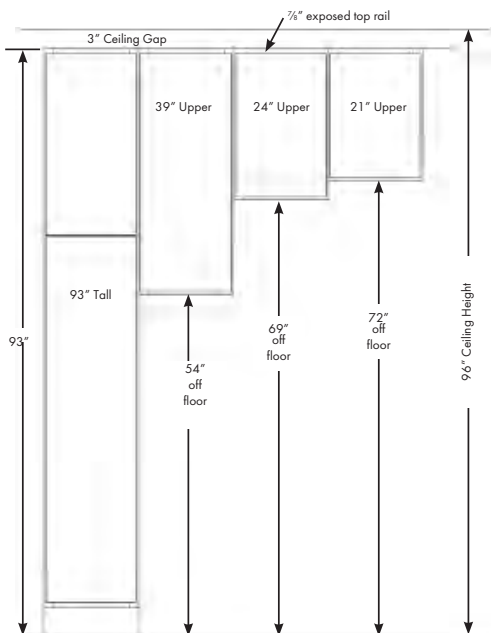
**TALL / SOFFIT
7' APPLICATION**



**45" AND 54"
WALL CABINETS**



**TALL / CEILING
8' APPLICATION**



**Better Design
with Advantage 39**

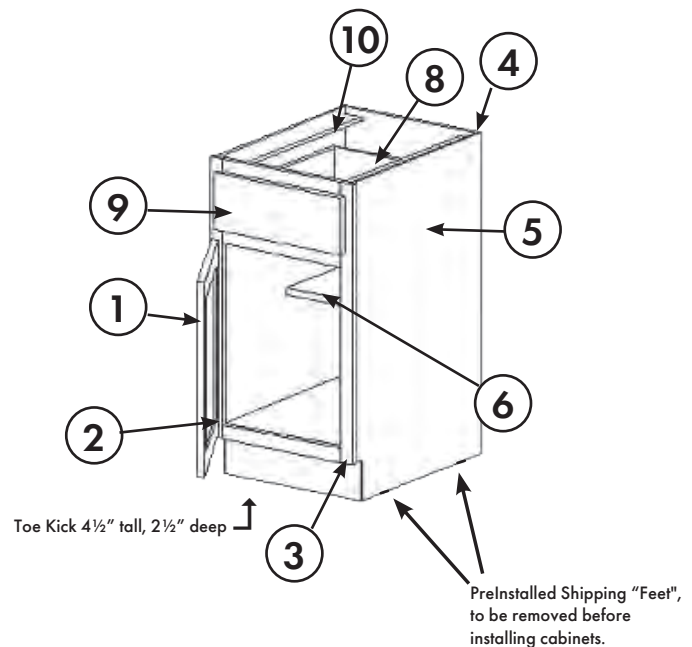
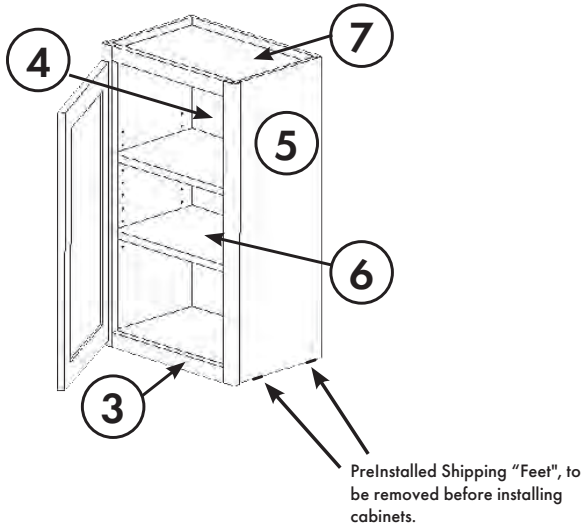
39" Wall Cabinets give you an advantage over the competition!

8' Ceiling Application

- Looks more professional
- 7/8" cabinet top reveal allows for easy trimming to ceiling with 1 piece of moulding
- Reduces installation cost

9' Ceiling Application

- Looks more professional
- 7/8" cabinet top reveal allows for easy trimming to ceiling with 1 piece of moulding
- Leaves the proper 12" space to ceiling
- Reduces installation cost
- Reduces material cost



1. Doors

- Mortise and tenon solid wood stiles and rails.
- Painted doors mortise and tenon made from MDF.

2. Hinges

- Soft-Close concealed hinge with 107° opening.

3. Face Frame

- 3/4" x 1 1/2" solid wood mortise and tenon.
- Comes pre-drilled for hinges Left and Right

4. Backs

- 1/2" select birch veneer plywood.
- Ultraviolet clear finish.

5. Side Panels

- 1/2" maple laminate furniture board.
- Ultraviolet clear finish inside cabinet
- Exterior matches the frame and door.

6. Adjustable Shelving

- 3/4" maple laminate furniture board with matching front edge banding.
- Base cabinet shelf depth 15 5/16".

7. Tops and Bottoms

- 1/2" maple laminate furniture board.
- Ultraviolet clear finish.

8. Drawer Boxes

- Hybrid dovetail solid maple.
- 1/2" plywood bottoms
- Undermount soft close full extension drawer slides.

9. Drawer Box Interior Depth

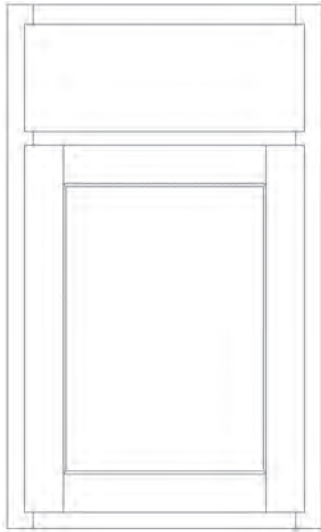
- 3 3/8" interior top drawer functional depth.
- Deeper than most competitors.

10. Panel Beams

- 1/2" thick x 2 1/4" furniture board panel beams.

GREEN FOREST CABINETS

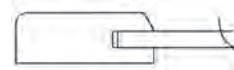
CABINET SPECIFICATIONS



BELLA PLUS	Price Code	Color Specification
	1	Smoked Cashew (CS)
		White Painted (WH)

Price column integrates soft close into list prices for hassle free upgrades of entire orders

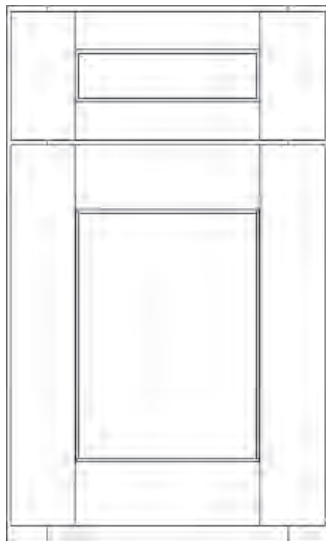
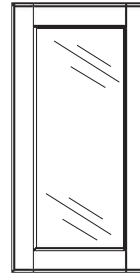
- 1/2" Overlay
- Door - 2 3/8" stile & rail
- Top and bottom are "back-beveled" for finger pull
- *Depending on application, plywood components may contain MDF in accordance with ANSI/HPVA HP.1 Standards



Door rails are back beveled. Hardware is not required

Doors Prepped for Glass

- Supplied with acrylic panel
- Stiles and rails are 2 3/8"
- Available as 1-Lite
- Must use finished interior cabinet with glass door



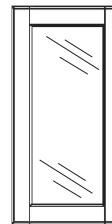
PARK PLACE	Price Code	Color Specification
	2	White Painted (WH)
		Smoked Cashew (CS)

- 1 1/4" Overlay
- Drawer Pull mounting space = 2 7/8" tall
- Drawer Front - 3" stile, 2 1/8" rail



Doors Prepped for Glass

- Supplied with acrylic panel
- Rails are 3"
- Available as 1-Lite
- Must use finished interior cabinet with glass door



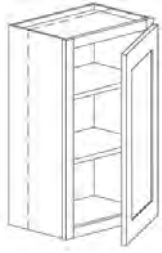
Please note : Actual color of door may vary slightly from photograph shown in catalog

Cabinet Styles	Bella Plus		Park Place Door (PP)	
Color Options	White Painted (WH)	Smoked Cashew (CS)	Smoked Cashew (CS)	White Paint (WH)
Price Code	1		2	
Door & Drawer Front Construction	Drawer Front - Drawer Front-1 PC solid Door - 5 Pcs Mortise and Tenon		Drawer Front & Door 5 Pcs Mortise & Tenon	
Door Frame	2 3/8" MDF	2 3/8" Solid Maple	3" Solid Maple	3" MDF
Door Center	1/4" MDF	1/4" Maple Veneer Plywood*	3/8" Maple Veneer Plywood *	3/8" MDF
Door Overlay	1/2" Standard Overlay		1 1/4" Full Overlay - Left & Right - Top of wall, bottom of base and tall 7/8" reveal. Bottom of wall, top of base 3/8" reveal.	
Hinges	1/2" Overlay 6-way adjustable concealed soft close hinges with 107° opening.		1 1/4" Overlay 6-way adjustable concealed soft close hinges with 107° opening.	
Drawer Slides	"Tandem Type", soft close , full extension, undermount. (75 lb. dynamic load, 100 lb. static load).			
Face Frame	3/4" X 1 1/2" Solid wood (Mortise and Tenon) *Pre-Drilled for hinges Left & Right *			
Cabinet Side	1/2" select furniture board interlocked into face frame			
Cabinet Top and Bottom	1/2" select furniture board with natural finish interlocked into back, sides and face frame.			
Interior	1/2" select furniture board with natural finish			
Back	1/2" select birch veneer plywood with natural finish interior, rabbeted into sides with dados for top and bottom			
Adjustable Shelves	3/4" select furniture board adjustable shelves with natural finish, 10 1/2" deep on wall, 15 5/16" deep on base.			
Drawer Box	Hybrid Dovetail: 5/8" solid maple - dovetail at front joint - rabbet at rear joint - natural finish Bottoms - 1/2" bottom interlocked into drawer box sides - clear finish			

* Depending on application, plywood components may contain MDF in accordance with ANSI/HPVA HP. 1 Standards
 Note: Green Forest MDF can also be considered HDF

Reduce Depth

Standard Lead Time



Description	SKU	Price
WALL (11", 10", 9", 8", 7", 6")	RD-W-___D	284
WALL REFRIGERATOR CABINET (21", 18", 15")	RD-WR-___D	284
WALL MICROWAVE CABINET (18", 15")	RD-WMC-___D	335
BASE FULL HEIGHT (21", 18", 15", 12") **BASE CLIP (BCLIP) CABINET CANNOT BE MODIFIED**	RD-BV0D-___D	284
BASE/VANITY WITH 1 DRAWER (21", 18", 15", 12")	RD-BV1D-___D	466
BASE/VANITY WITH 2 DRAWERS (21", 18", 15", 12")	RD-BV2D-___D	551
BASE/VANITY WITH 3 DRAWERS (21", 18", 15", 12")	RD-BV3D-___D	636
TALL PANTRY (21", 18", 15", 12", 9")	RD-T-___D	723

Reduce Depth of Cabinet with Roll Out Shelves

Standard Lead Time

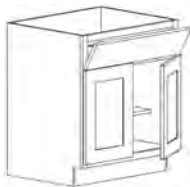


Description	SKU	Price
BASE/VANITY WITH 1 ROS (21", 18", 15")	RD-BV1D-1ROS-___D	568
BASE/VANITY SINK WITH 2 ROS (21", 18", 15")	RD-BV1D-2ROS-___D	670
BASE FULL HEIGHT WITH 1 ROS (21", 18", 15")	RD-BV0D-1ROS-___D	386
BASE FULL HEIGHT WITH 3 ROS (21", 18", 15")	RD-BV0D-3ROS-___D	590
TALL PANTRY WITH 5 ROS (21", 18", 15")	RD-T-5ROS-___D	1233

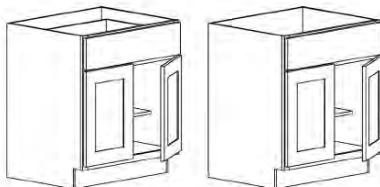
Drawer Changes

Standard Lead Time

Description	SKU	Price
ADD A FACTORY INSTALLED TILT OUT TRAY SEE ADDITIONAL INSTALLATION NOTE ON PAGE 67	ADD-TOTRAY	216
REMOVE TOP DRAWER BOX – CREATE FALSE FRONT	REM-TOPDBOX	182
SCOOP TOP DRAWER REDUCE HEIGHT BY 2" (YIELDS 4¼ CLEARANCE AND 1¾ INTERIOR DRAWER BOX HEIGHT)	CHG-SCOOPTD	284
DRAWER BOX DEPTH REDUCTION (21", 18", 15)	RD-1DWR-___D	102
REMOVE 1 ROLL OUT SHELF FROM 5 ROLL OUT SHELF PANTRY	REM-1ROS	0



Install Tilt Out Tray



Remove Top Drawer Box



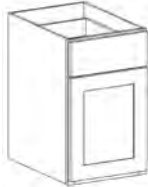
Scoop Top Drawer

CUSTOM MADE AFFORDABLE

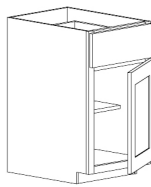
Toekick Changes

Standard Lead Time

Description	SKU	Price
REMOVE 4½" TOE SPACE	REM-TKICK	182
REDUCE HEIGHT OF TOE KICK TO 2½"	RH-TKICK	182
ADD 4½" TOE SPACE LEFT	ADD-TKLEFT	223
ADD 4½" TOE SPACE RIGHT	ADD-TKRIGHT	223
ADD 4½" TOE SPACE BOTH SIDES	ADD-TKLANDR	223



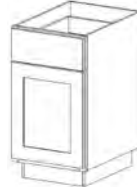
Remove Toe Space



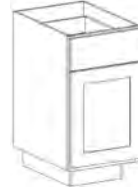
Reduce Height Toekick



Add Toekick Left



Add Toekick Right

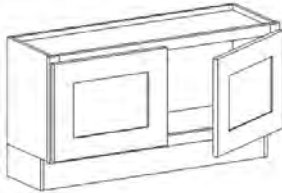


Add Toekick to Both Sides

Add Toekick To Wall Cabinet

Great for creating window seats!

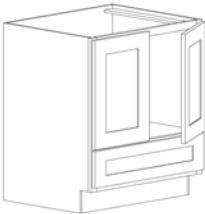
Standard Lead Time



Description	SKU	Price
ADD TOEKICK TO WALL CABINET	ADD-TOEKICK	335

Invert Base/Vanity Cabinet

Standard Lead Time

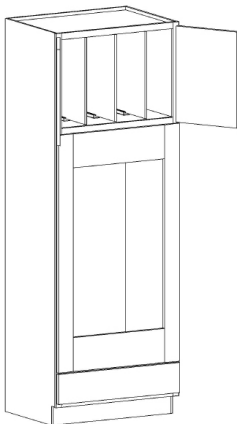


Description	SKU	Price
INVERT BASE/VANITY	INVERT-BV	140

- Not available in Bella

Insert Vertical Divider

Standard Lead Time



Description	SKU	Price
INSERT VERTICAL DIVIDER TO WR/OC/TP	INSERT-DIV	276

- Only available for refrigerator walls, oven cabinets, and pantry cabinets
- Adds 3 vertical Dividers

Upgrade Drawer Guides from Standard, Full Extension to Blum Tandem Soft Close

Standard Lead Time

Description	SKU	Price
1 BASE DRAWER SLIDE - TO BLUM TANDEM SOFT CLOSE (PER DRAWER) (IE: STANDARD BASE)	UG-HHB-BLM1D	80
2 BASE DRAWER SLIDES - TO BLUM TANDEM SOFT CLOSE (PER DRAWER) (IE: STANDARD B42)	UG-HHB-BLM2D	160
3 BASE DRAWER SLIDES - TO BLUM TANDEM SOFT CLOSE (PER DRAWER) (IE: STANDARD BD312)	UG-HHB-BLM3D	240
1 VANITY DRAWER SLIDE - TO BLUM TANDEM SOFT CLOSE (PER DRAWER) (IE: STANDARD VANITY)	UG-HHV-BLM1D	80
2 VANITY DRAWER SLIDES - TO BLUM TANDEM SOFT CLOSE (PER DRAWER) (IE: STANDARD VCOMBO)	UG-HHV-BLM2D	160
3 VANITY DRAWER SLIDES - TO BLUM TANDEM SOFT CLOSE (PER DRAWER) (IE: STANDARD VD312)	UG-HHV-BLM3D	240



Roll Out Shelf Guide Upgrade

Standard Lead Time

Slide Sizes		
Cabinet	Slide Size (metric)	Slide Size (English)
24"	533mm	21"
21"	457mm	18"
18"	381mm	15"
15"	305mm	12"
12"	229mm	9"

Description	SKU	Price
1 ROS SLIDE TO BLUM TANDEM SLIDES (CABINET DEPTH 24", 21", 18", 15", 12")	UG-1ROS-BLM-___D	80
2 ROS SLIDE TO BLUM TANDEM SLIDES (CABINET DEPTH 24", 21", 18", 15", 12")	UG-2ROS-BLM-___D	160
3 ROS SLIDE TO BLUM TANDEM SLIDES (CABINET DEPTH 24", 21", 18", 15", 12")	UG-3ROS-BLM-___D	240
5 ROS SLIDE TO BLUM TANDEM SLIDES (CABINET DEPTH 24", 21", 18", 15", 12")	UG-5ROS-BLM-___D	400

GREEN FOREST CABINETRY



ITEMS WILL BE INSTALLED INTO CABINETS UPON ORDERING

- FOR ORDERING INDIVIDUALLY, ADD "-A" TO THE SKU

BASE BLIND WOOD HALF MOON



Description	SKU	Price
FITS IN BB39-45	BBMOON-39	1301
FITS IN BB42-48	BBMOON-42	1430

DOOR MOUNTED STORAGE

AVAILABLE ON RIGHT OR LEFT DOOR



Description	SKU	Price
FITS IN B15, B30	DSTOR-15	240
FITS IN B18, B36	DSTOR-18	261
FITS IN B21, B42	DSTOR-21	301

DOOR MOUNTED APPLIANCE STORAGE

AVAILABLE ON RIGHT OR LEFT DOOR



Description	SKU	Price
FITS ANY 15" DOOR OR LARGER	DMAS-24	250

BASE/VANITY - 15, 18, 21, 30, 36, 42
VCOMBO - 36, 42, 48 (WILL NOT WORK WITH ROLL OUT SHELF)

DOOR MOUNTED ADJUSTABLE SPICE RACK

AVAILABLE ON RIGHT OR LEFT DOOR



Description	SKU	Price
FITS IN W15, W30	ASR-15	364
FITS IN W18 & W36	ASR-18	417
FITS IN W21 & W42	ASR-21	546

PEG SYSTEM

PEG SYSTEM CAN ONLY BE USED IN BOTTOM 2 DRAWERS OF BASE DRAWER STACK OR BASE CABINET, WITH OR WITHOUT ROLL OUTS.



Description	SKU	Price
FITS IN BD24	PEGS-24	266
FITS IN BD30	PEGS-30	312
FITS IN BD36	PEGS-36	390

KNIFE BLOCK INSERT



KBLOCK-18
(TRIMMABLE)

KBLOCK-18

Description	SKU	Price
FITS IN B21 OR SMALLER	KBLOCK-18	281

BASE UTENSIL PULL OUT



Description	SKU	Price
FITS IN BFH9	BUP09-INS	1483

MIXER LIFT - BASE



Description	SKU	Price
FITS IN BFH18	MXLIFT-18	1352



ITEMS WILL BE INSTALLED INTO CABINETS UPON ORDERING

REV-A-SHELF

TIERED CUTLERY DIVIDER



Description	SKU	Price
<i>FITS IN B18</i>	2TCUT-18	820

CHARGING DRAWER



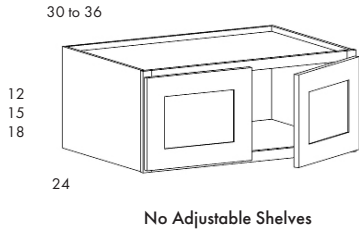
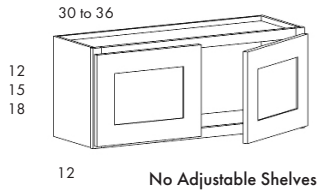
Description	SKU	Price
<i>FITS IN B18</i>	DRCHRG-18	1575

DEEP DRAWER DIVIDER



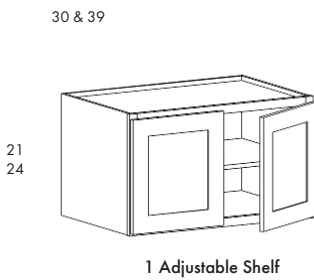
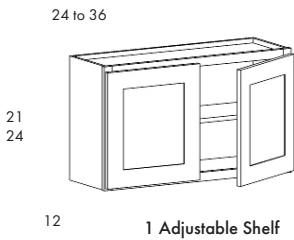
Description	SKU	Price
<i>FITS IN BD324</i>	DRAWDIV-DEEP24	960
<i>FITS IN BD330</i>	DRAWDIV-DEEP30	1100
<i>FITS IN BD336</i>	DRAWDIV-DEEP36	1280

12", 15", 18" HIGH WALL



SKU	1	2
W3012	236	256
W3312	263	285
W3612	280	305
W2415	236	256
W3015	265	287
W3315	284	309
W3615	302	331
W3018	314	339
W3618	366	398
WR2415	395	438
WR3012	395	438
WR3312	395	438
WR3612	371	406
WR3015	395	438
WR3315	395	438
WR3615	395	438
WR3018	395	438
WR3618	395	438

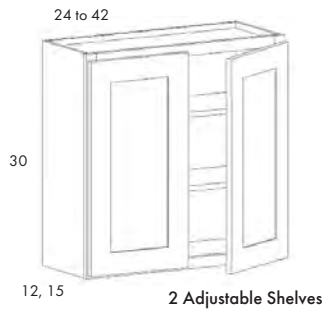
21" & 24" HIGH WALL



SKU	1	2
W3021	337	384
W3321	380	435
W3621	397	454
*W3921	432	498
W2424	333	396
W3024	358	413
W3624	410	472
WR3021	395	438
WR3321	395	438
WR3621	440	536
WR3921	486	580
WR3024	440	536
WR3624	486	580



30" HIGH WALL

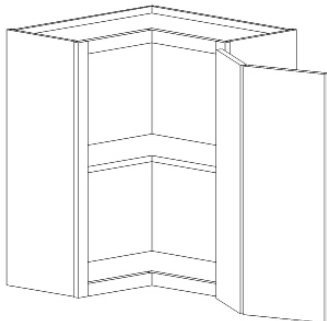


SKU	1	2
W0930	208	230
W1230	241	268
W1530	270	302
W1830	302	338
W2130	333	372
W2430	370	408
W2730	401	442
W3030	430	478
W3330	462	513
W3630	490	549
*W4230	554	•
W0930-15D	310	346
W1230-15D	358	403
W1530-15D	404	454
W1830-15D	449	506
W2130-15D	495	558
W2430-15D	548	612
W2730-15D	594	664
W3030-15D	640	717
W3330-15D	685	770
W3630-15D	733	823

* 42" cabinet has center stile between door

• Extra shelves are available in the Accessories section.

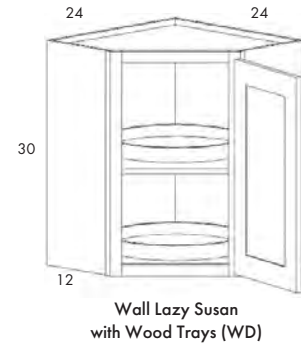
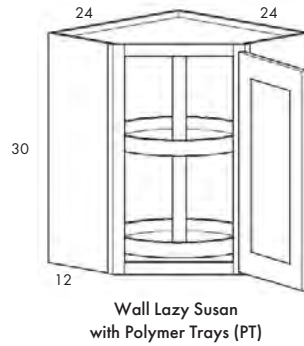
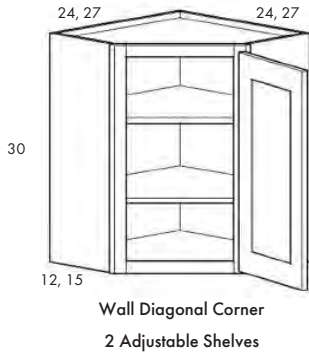
30" WALL EASY REACH



SKU	1	2
WER2430	564	627

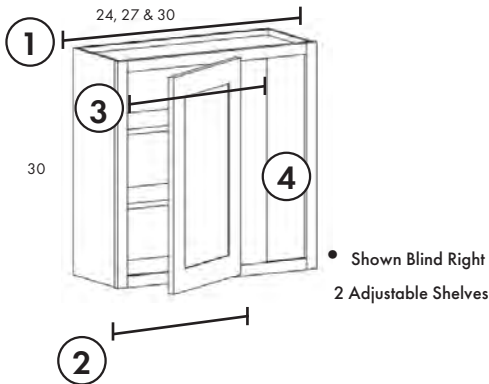
30" HIGH DIAGONAL CORNER

SKU	1	2
WDC2430	506	554
*WDC2730-15D	706	775
WLS2430-PT	702	750
WLS2430-WD	1022	1070

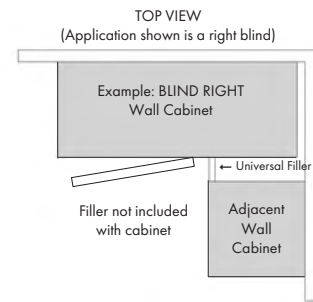


30" HIGH BLIND WALL

SKU	1	2
WB2430BL/BR	348	372
WB2730BL/BR	378	408
WB3030BL/BR	408	440



- Can be used as left or right blind
- Vertical center stile is 8 1/8" wide

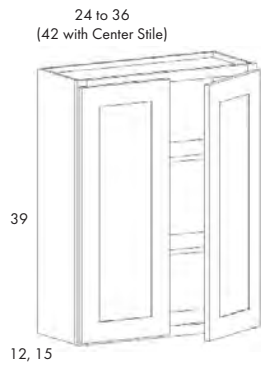


Cabinet Type	Cab ID	(1) Actual Cabinet	(2) *Cab Face Size	(3) Frame Opening at Cab. Face	(4) Max Exposed Stile	Min pull	Max Pull
Bella	WB2430	24"	12"	9"	7"	1"	6"
	WB2730	27"	15"	12"	7"	1"	6"
	WB3030	30"	18"	15"	7"	1"	6"
All Other Framed Doors	WB2430	24"	12"	9"	6 1/4"	1"	6"
	WB2730	27"	15"	12"	6 1/4"	1"	6"
	WB3030	30"	18"	15"	6 1/4"	1"	6"

Face size of 12 means door and frame are same size as W1230



39" HIGH WALL

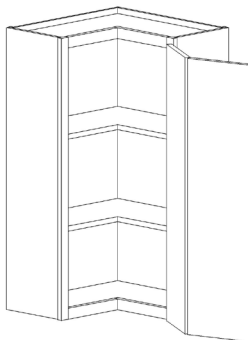


SKU	1	2
W0939	266	301
W1239	304	347
W1539	343	394
W1839	378	438
W2139	413	485
W2439	460	530
W2739	512	577
W3039	528	623
W3339	570	670
W3639	610	714
*W4239	689	•
W0939-15D	394	427
W1239-15D	450	494
W1539-15D	510	555
W1839-15D	562	615
W2139-15D	614	676
W2439-15D	681	742
W2739-15D	758	800
W3039-15D	790	862
W3339-15D	846	925
W3639-15D	903	986

*W4239 has center stile between doors.

- 2 Adjustable Shelves
- Extra shelves are available in the Accessories section.
- 3 hinges per side/door.

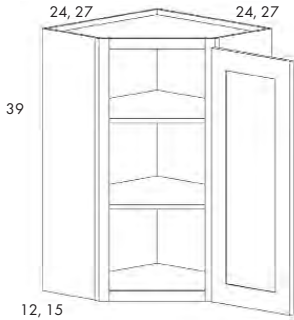
39" WALL EASY REACH



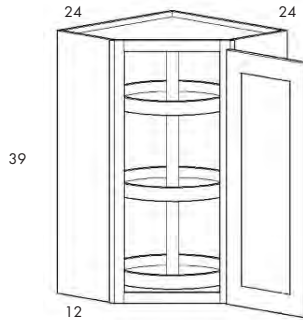
SKU	1	2
WER2439	653	728

39" HIGH DIAGONAL CORNER

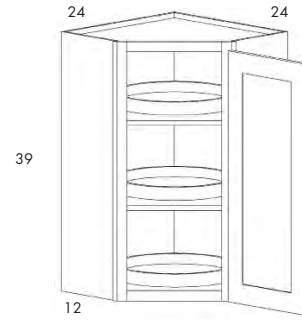
SKU	1	2
WDC2439	658	718
*WDC2739-15D	917	1006
WLS2439-PT	1030	1091
WLS2439-WD	1433	1494



Wall Diagonal Corner
2 Adjustable Shelves
3 hinges



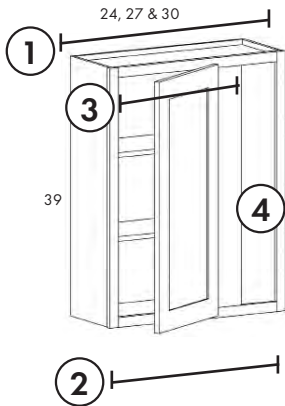
Wall Lazy Susan
with Polymer Trays (PT)
3 hinges



Wall Lazy Susan
with Wood Trays (WD)
3 hinges

39" HIGH BLIND WALL

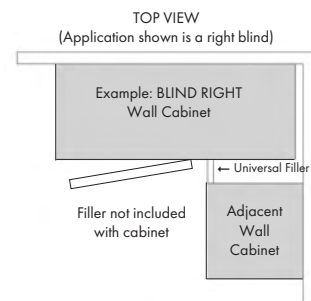
SKU	1	2
WB2439BL/BR	422	454
WB2739BL/BR	463	497
WB3039BL/BR	495	534



• Shown as Blind Right

2 Adjustable Shelves

- Can be used as left or right blind
- Vertical center stile is 8 1/8" wide



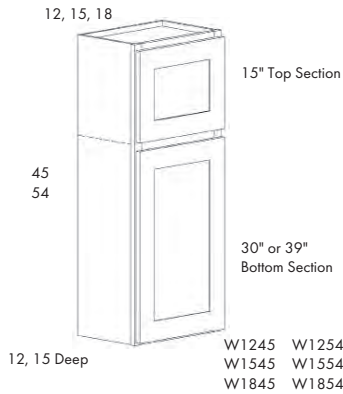
Cabinet Type	Cab ID	(1) Actual Cabinet	(2) *Cab Face Size	(3) Frame Opening at Cab. Face	(4) Max Exposed Stile	Min pull	Max Pull
Bella	WB2439	24"	12"	9"	7"	1"	6"
	WB2739	27"	15"	12"	7"	1"	6"
	WB3039	30"	18"	15"	7"	1"	6"
All Other Framed Doors	WB2439	24"	12"	9"	6 1/4"	1"	6"
	WB2739	27"	15"	12"	6 1/4"	1"	6"
	WB3039	30"	18"	15"	6 1/4"	1"	6"

Face size of 12 means door and frame are same size as W1239

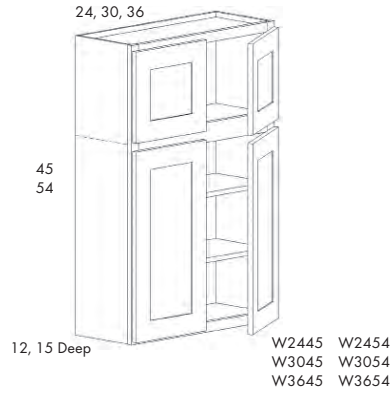


Door Over Door Cabinets

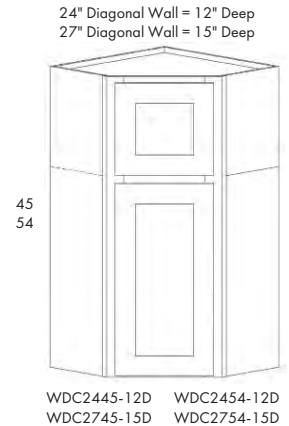
~ Available in Park Place ONLY
 ~ Glass Doors automatically include matching finished interior - FIM
 ~ All drawings are with standard doors (Face Type 1). For Glass Door options, see Face Type 2 - 4
 ~ Skins ordered separately



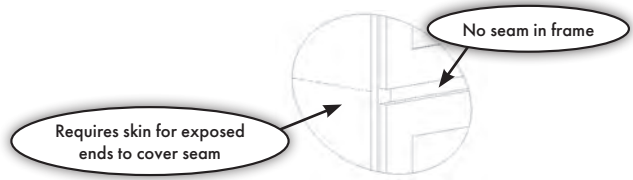
Shows F1



Shows F1

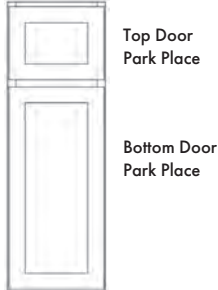


Shows F1



Door Over Door Cabinet Face Options

Face 1 (F1)



Face 2 (F2)



Face 3 (F3)

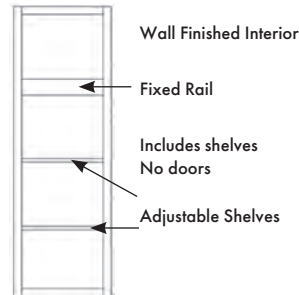


Face 4 (F4)

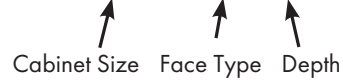


Face 7 (F7)

Available in White and Smoked Cashew



Part Number Structure: IE: W1545-F1-12D

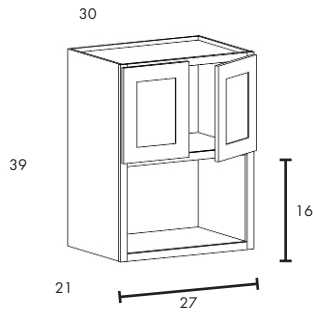


45" TALL	FACE 1 (F1)	FACE 2 (F2)	FACE 3 (F3)	FACE 4 (F4)	FACE 7 (F7)
W1245-___-12D	864	1241	1241	1619	760
W1545-___-12D	907	1284	1284	1661	798
W1845-___-12D	951	1328	1328	1706	837
W2445-___-12D	1095	1850	1850	2605	964
W3045-___-12D	1126	1881	1881	2635	990
W3645-___-12D	1269	2023	2023	2778	1116
WDC2445-___-12D	1381	1758	1758	2136	1214
W1245-___-15D	1209	1587	1587	1964	1065
W1545-___-15D	1269	1646	1646	2023	1116
W1845-___-15D	1332	1709	1709	2086	1172
W2445-___-15D	1454	2209	2209	2964	1279
W3045-___-15D	1576	2331	2331	3086	1388
W3645-___-15D	1775	2530	2530	3285	1561
WDC2745-___-15D	1933	2311	2311	2688	1700
54" TALL	FACE 1 (F1)	FACE 2 (F2)	FACE 3 (F3)	FACE 4 (F4)	FACE 7 (F7)
W1254-___-12D	963	1340	1420	1797	847
W1554-___-12D	1020	1398	1478	1855	898
W1854-___-12D	1077	1454	1534	1911	947
W2454-___-12D	1192	1947	2107	2862	1049
W3054-___-12D	1308	2063	2222	2977	1151
W3654-___-12D	1476	2231	2391	3145	1299
WDC2454-___-12D	1741	2119	2199	2576	1532
W1254-___-15D	1347	1724	1804	2182	1185
W1554-___-15D	1428	1806	1886	2263	1257
W1854-___-15D	1507	1884	1964	2341	1326
W2454-___-15D	1668	2423	2583	3338	1468
W3054-___-15D	1831	2586	2746	3501	1612
W3654-___-15D	2066	2821	2981	3735	1818
WDC2754-___-15D	2438	2816	2896	3273	2145

WALL 54 SKINS (CAN BE FIELD CUT FOR 45 WALL)

	SKU	PRICE
¼" X 11 ¼" X 54"	W5412SKIN	75
¼" X 14 ¼" X 54"	W5415SKIN	126

WALL MICROWAVE CABINET



SKU

1

2

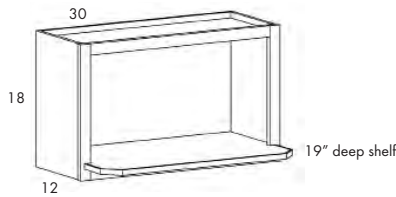
WMC3039

999

1039

- Interior of cabinet matches cabinet color
- Can be modified to 15" or 18" deep
- *Use caution when installing adjacent to diagonal wall

WALL MICROWAVE SHELF



SKU

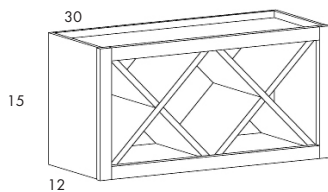
PRICE

WMS3018

473

- *If utilizing the microwave shelf adjacent a WDC or WLS, a 3" filler is required for door swing.
- Finished interior
- Opening height 14½"
- Opening width 27"

NAPA VALLEY WINE CABINET



SKU

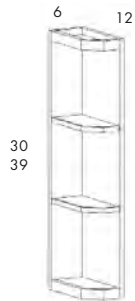
PRICE

WINE3015

728

- Holds 10 750ml. wine bottles
- Note: Top and bottom outside are natural birch finish. If using cabinet vertically, extra panels will need to be ordered to cover.

WALL OPEN END SHELF



SKU

PRICE

WOS0630

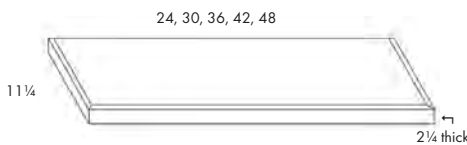
425

WOS0639

493

- Can be left or right, flipped

FLOATING SHELF WITH HARDWARE



- Not available in Ivory
- Kit includes 1 shelf and mounting hardware
- 2½" Thick plywood shelf with finished top and bottom. Soft top edge radius 1 long and 2 short edges.
- Designed to support 50 pounds.

SKU

UN

PRICE

FLTSHELF24

301

354

FLTSHELF30

330

388

FLTSHELF36

359

422

FLTSHELF42

388

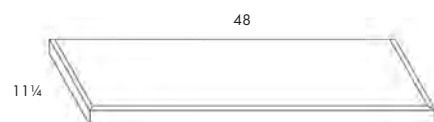
456

FLTSHELF48

417

490

2" THICK SHELF KIT (CABINET TO CABINET)



SKU

PRICE

SHELF1PC2X48

286

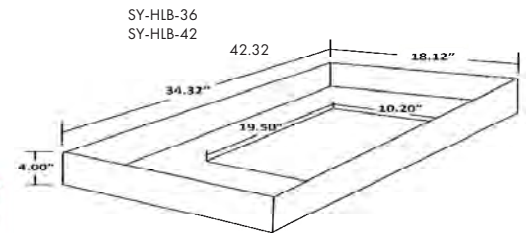
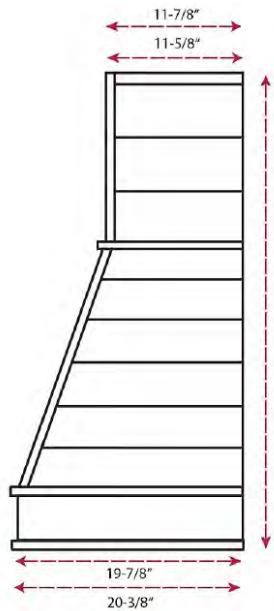
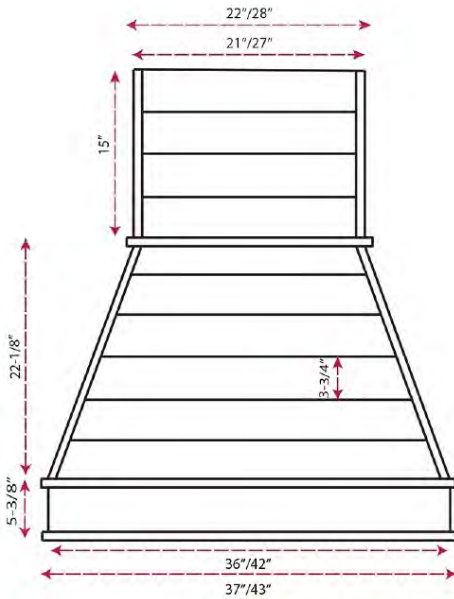
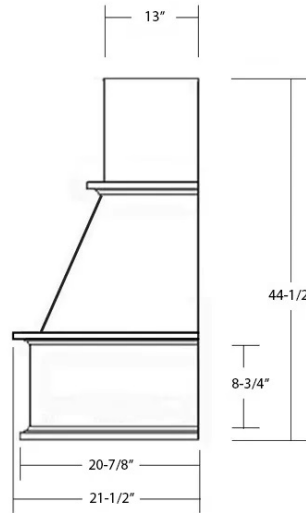
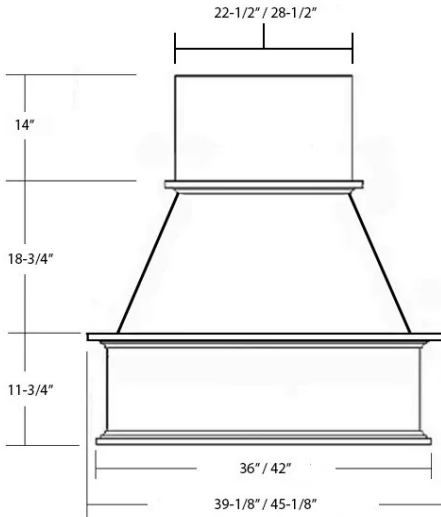
- 2" Thick shelf with finished top and bottom. Soft top edge radius 1 long and 2 short edges - constructed of plywood with a ¾" x 2" solid wood band on 3 edges.
- Trimmable to desired length and depth.
- Meant to be installed between 2 cabinets or a cabinet and a wall. Not meant to be floating shelves
- Kit includes 1 shelf



WOOD HOODS

- Available in all colors
- Removable Upper Access for easy install
- Stainless Steel Liners included - Shipped loose - (see compatibility table)
- Hoods include 14" Chimney Attachment

SKU	DESCRIPTION	UNFINISHED LIST PRICE	FINISHED LIST PRICE
HDCH-TR36	TRADITIONAL CHIMNEY RANGE HOOD 36" WIDE	4821	5672
HDCH-TR42	TRADITIONAL CHIMNEY RANGE HOOD 42" WIDE	5136	6042
HDCH-SL36	SHIPLAP CHIMNEY RANGE HOOD 36" WIDE	6048	7116
HDCH-SL42	SHIPLAP CHIMNEY RANGE HOOD 42" WIDE	6383	7509



CHIMNEY EXTENSIONS

SKU

DESCRIPTION

UNFINISHED LIST PRICE

FINISHED LIST PRICE

EXTHD-TR36	24"X36" TRADITIONAL CHIMNEY EXTENSION (COMPATIBLE WITH HDCH-TR36)	407	479
EXTHD-TR42	24"X42" TRADITIONAL CHIMNEY EXTENSION (COMPATIBLE WITH HDCH-TR42)	469	552
EXTHD-SL36	24"X36" SHIP LAP CHIMNEY EXTENSION (COMPATIBLE WITH HDCH-SL36)	445	524
EXTHD-SL42	24"X42" SHIP LAP CHIMNEY EXTENSION (COMPATIBLE WITH HDCH-SL42)	509	599

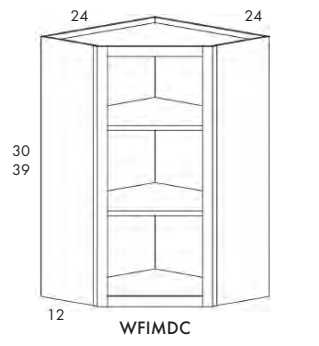
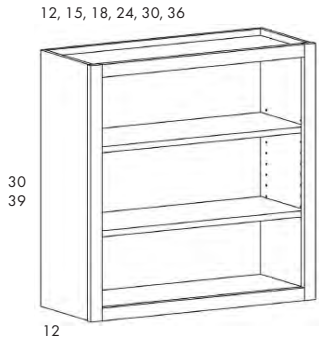
COMPATIBLE BLOWERS

PM300SS | BROAN 300CFM VENTILATOR
PM400SS | BROAN 400CFM VENTILATOR
PM600SSV | BROAN 600CFM VENTILATOR

SY-HVA-350-SS | ASCENSION ECONOMY 350CFM VENTILATOR
SY-HVA-500-SS | ASCENSION 500CFM VENTILATOR
SY-HVA-620-SS | ASCENSION 620CFM VENTILATOR



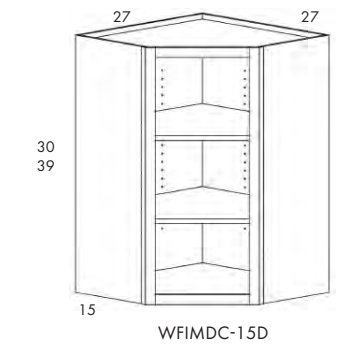
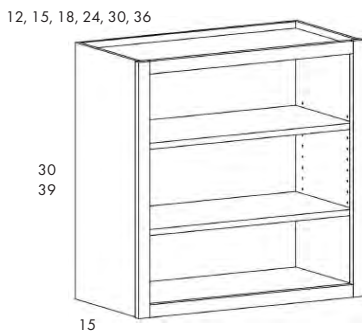
**30" - 39" HIGH
12" DEEP FINISHED INTERIOR (FIM) WALL OPEN**



SKU	PRICE
WFIM1230	544
WFIM1530	544
WFIM1830	604
WFIM2430	675
WFIM3030	755
WFIM3630	896
WFIM1239	633
WFIM1539	633
WFIM1839	694
WFIM2439	776
WFIM3039	852
WFIM3639	1022
WFIMDC2430	1269
WFIMDC2439	1369

- 2 Finished wood shelves included
- Additional shelves available in Accessories section
- Glass Doors are not included. See next page for Glass Door options.
- Available in all colors

**30" - 39" HIGH
15" DEEP - FINISHED INTERIOR (FIM) WALL OPEN**



SKU	PRICE
WFIM1230-15D	769
WFIM1530-15D	769
WFIM1830-15D	845
WFIM2430-15D	947
WFIM3030-15D	1060
WFIM3630-15D	1253
WFIM1239-15D	901
WFIM1539-15D	901
WFIM1839-15D	981
WFIM2439-15D	1099
WFIM3039-15D	1206
WFIM3639-15D	1444
WFIMDC2730-15D	1777
WFIMDC2739-15D	1927

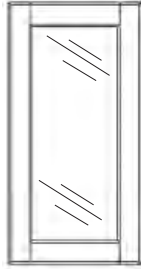
- 2 Finished wood shelves included
- Additional shelves available in Accessories section
- Glass Doors are not included. See next page for Glass Door options.
- 15D only available in White

FIM WALL DOORS

- Doors prepped for glass
- Shipped with clear, acrylic panel
- **Glass doors are NOT compatible with NON-FIM cabinets.**

Available in all door styles

- * 3" Stiles and Rails for Park Place
- 2 3/8" Stiles and Rails for Bella



1-Lite Door

30" & 39" TALL 1-LITE DOOR

SKU	ALL COLORS
GD1-1230	208
GD1-1530	208
GD1-1830	274
*GD1-2430P	415
*GD1-3030P	415
*GD1-3630P	548
GD1-WDC2430	208

SKU	ALL COLORS
GD1-1239	288
GD1-1539	288
GD1-1839	380
*GD1-2439P	575
*GD1-3039P	575
*GD1-3639P	759
GD1-WDC2439	288

- *P = pair. All part numbers with a P include 2 doors

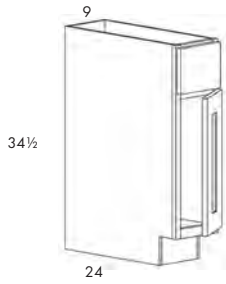
To order with FIM cabinet with door: GD1 WFM1839L - 15





9" – 48" BASE

B09



*Face stiles are 1" wide, frame opening is 7". Functional width inside drawer box is 5 1/4".

*Utilizes 1" Face Frame stiles to maximize drawer box size.

*CAUTION: 5 PC drawer fronts require use of knob (not handle) on B09s.

SKU

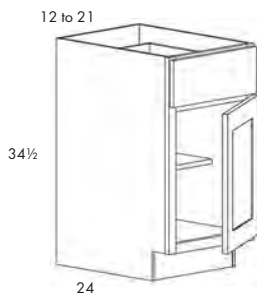
1

2

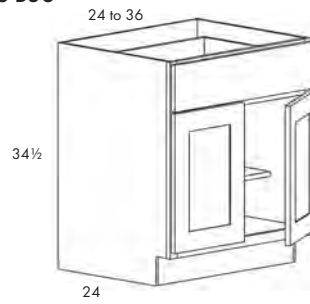
SKU	1	2
*B09	378	458
B12	378	458
B15	419	510
B18	457	554
B21	498	614
B24	543	662
B27	582	712
B30	622	763
B33	662	816
B36	702	868
B42	794	969
B48	886	1006

- 42 & 48 have center stile between doors
- 42 & 48 have fixed shelves

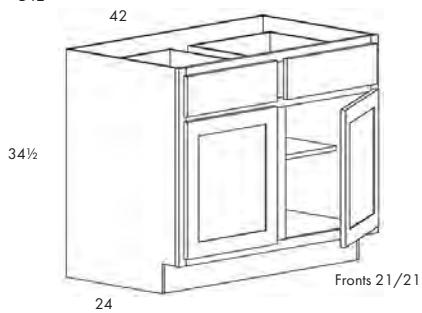
B12 to 21



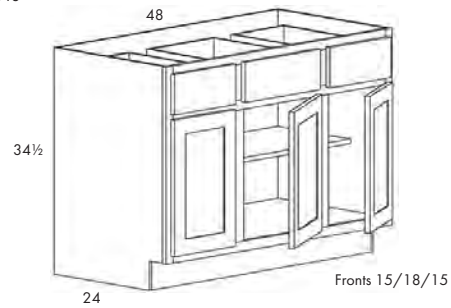
B24 to B36



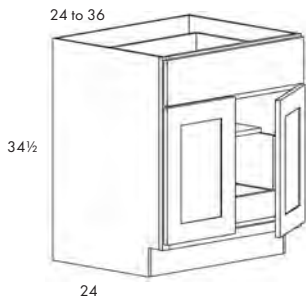
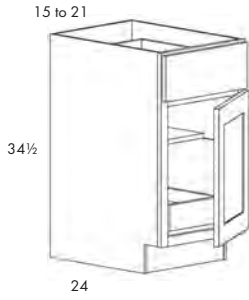
B42



B48



**15" – 36" BASE
WITH ROLL OUT SHELVES**

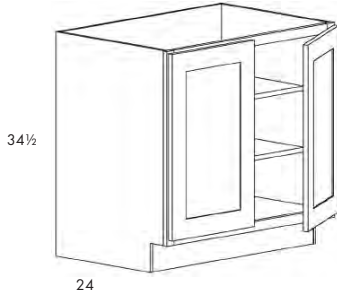


SKU	1	2
B15-1ROS	618	710
B18-1ROS	669	766
B21-1ROS	721	837
B24-1ROS	779	897
B27-1ROS	829	959
B30-1ROS	881	1022
B33-1ROS	933	1087
B36-1ROS	984	1150
B15-2ROS	775	866
B18-2ROS	838	934
B21-2ROS	900	1016
B24-2ROS	970	1088
B27-2ROS	1033	1163
B30-2ROS	1096	1237
B33-2ROS	1160	1314
B36-2ROS	1222	1387

- Base Cabinets with 1 ROS include 1 ROS and 1 15 3/8" deep shelf
- Reduce depth modification requires cabinet depth and roll out shelf to be modified
- ROS are adjustable - usable height set at factory is :
Bottom ROS - 8"



9" – 36" BASE FULL HEIGHT

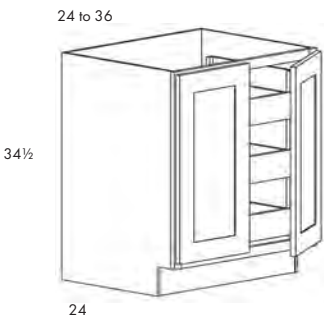
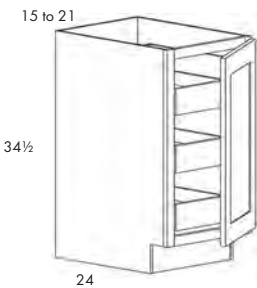


Adjustable Shelf Sizes			
Shelf	Width	Depth	Part #
12	10 1/4	22 1/4	ASK1224
15	13 1/4	22 1/4	ASK1524
18	16 1/4	22 1/4	ASK1824
21	19 1/4	22 1/4	ASK2124
24	22 1/4	22 1/4	ASK2424
27	25 1/4	22 1/4	•
30	28 1/4	22 1/4	ASK3024
33	31 1/4	22 1/4	•
36	34 1/4	22 1/4	ASK3624

SKU	1	2
*BFH09	278	318
BFH12	301	390
BFH15	338	435
BFH18	373	474
BFH21	410	528
BFH24	453	569
BFH27	489	615
BFH30	525	662
BFH33	562	707
BFH36	598	754

- BFH09 has no shelves
- BFH09-BFH21 have single door
- 2 full depth adjustable shelves included on BFH12-BFH36

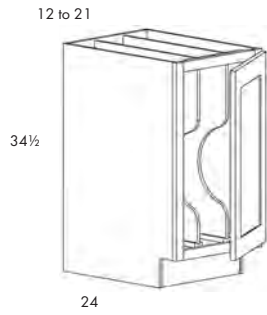
15" – 36" BASE FULL HEIGHT WITH 3 ROS



SKU	1	2
BFH15-3ROS	895	992
BFH18-3ROS	966	1066
BFH21-3ROS	1036	1154
BFH24-3ROS	1114	1231
BFH27-3ROS	1188	1314
BFH30-3ROS	1256	1393
BFH33-3ROS	1330	1476
BFH36-3ROS	1399	1555

- Reduce depth modification requires cabinet depth and roll out shelf to be modified
- ROS are adjustable

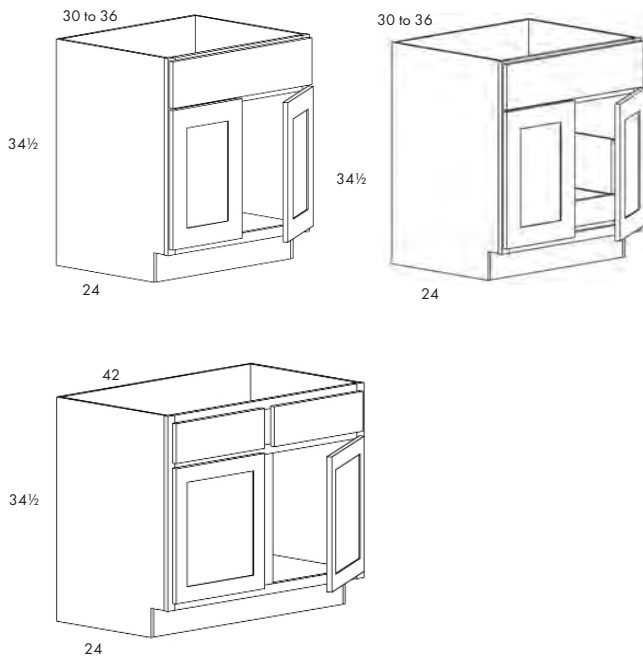
12-21" BASE FULL HEIGHT



SKU	1	2
BFHTD-12	430	517
BFHTD-15	468	565
BFHTD-18	631	730
BFHTD-21	669	785

- 12" and 15" cabinet have 1 Tray Divider
- 18" and 21" cabinet have 2 Tray Dividers

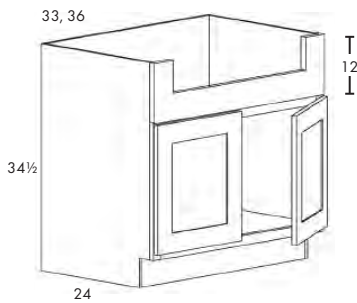
BASE SINKS



SKU	1	2
BS24	477	536
BS27	515	562
BS30	525	592
BS33	557	630
BS36	576	650
BS42	643	716
BS24-1ROS	712	775
BS27-1ROS	762	815
BS30-1ROS	783	854
BS33-1ROS	828	906
BS36-1ROS	858	938

- 42 has Center Stile

FARM SINK

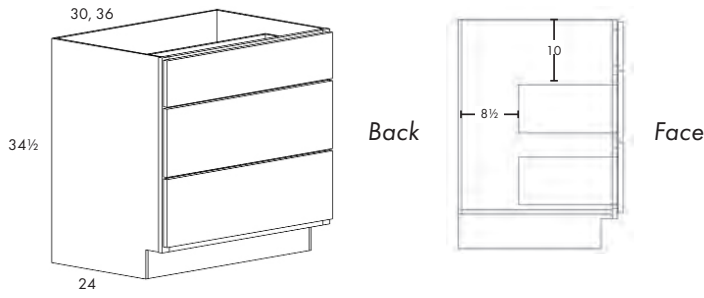


SKU	1	2
BFS33-12	930	1019
BFS36-12	948	1039

- NOTE : Support structure for the sink is not included
- Farm Sink stiles are 3" wide, Rail is 4 1/8".
- Notch dimensions are
 - 33-12 = 8x25
 - 36-12 = 8x28
- Notch is trimmable for use with desired sink.



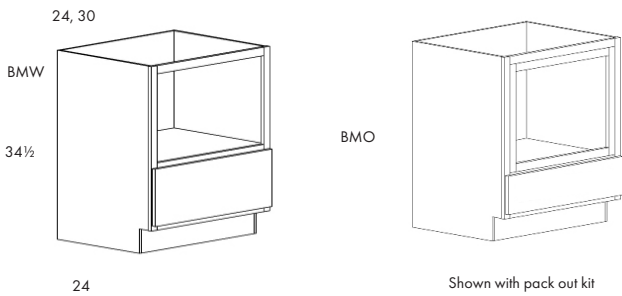
COOK N VENT



SKU	1	2
CNV30	1247	1356
CNV36	1458	1458

- Designed for downdraft cooktop or to bypass gas regulator.

BASE MICROWAVE OVEN



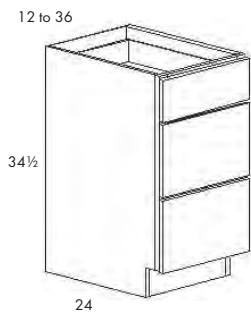
- Frame Stiles & Rails = 1 1/2"
- Opening matches cabinet color

- BMO comes with pack out kit - each piece is 1 1/2" wide and finished on all sides

SKU	1	2
BMW24	946	997
BMW30	1095	1150
BMO24	794	838
BMO27	856	902
BMO30	918	966

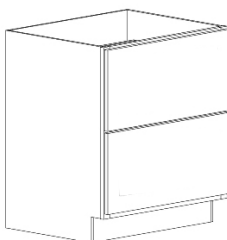
Cabinet	Cabinet Width	Opening Dimensions			
		Minimum Width	Maximum Width	Minimum Height	Maximum Height
BMW	24"		21"		16 3/16"
BMW	30"		27"		16 3/16"
BMO	24"	18"	21"	17 1/16"	20 1/16"
BMO	27"	21"	24"	17 1/16"	20 1/16"
BMO	30"	24"	27"	17 1/16"	20 1/16"

12" – 36" 3-DRAWER BASE



SKU	1	2
BD312	592	701
BD315	662	774
BD318	730	846
BD321	808	928
BD324	870	994
BD327	918	1044
BD330	965	1093
BD336	1059	1196

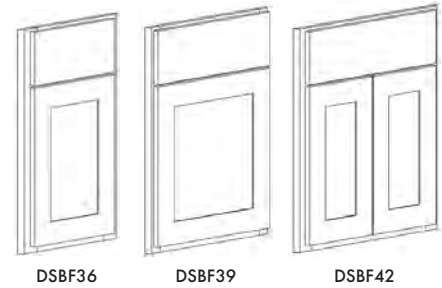
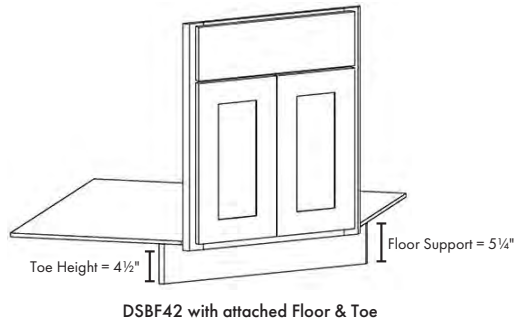
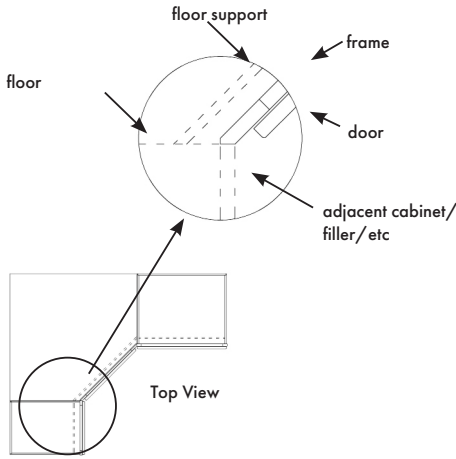
30" AND 36" 2-DRAWER BASE



SKU	1	2
BD230	982	1147
BD236	1081	1256

- Interior Drawer Height = 7 5/8"

DIAGONAL SINK BASE



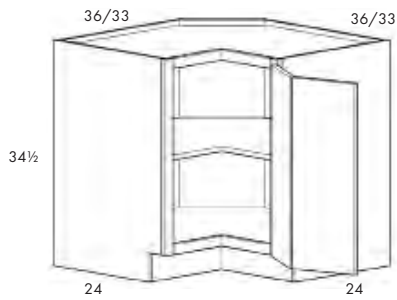
SKU	1	2
DSBF36	389	489
DSBF39	423	542
DSBF42	466	582

- Trimmable Base Floor and Toe Board included - the trimmable base is made for the DSBF42. Smaller diagonal sink fronts will require the floor and toe board to be trimmed to fit.
- Plywood cleat packs are offered on pg. 60. The cleats are 5/4" wide (the same height of the support toe board).
- When using with stone countertops, we recommend adding a Cleat Pack for additional countertop support. See pg. 60 for Cleat Pack.

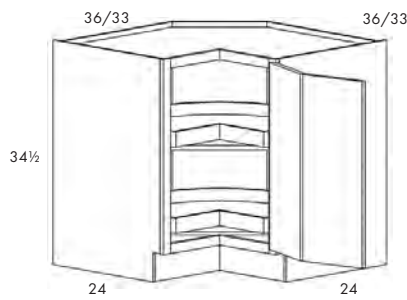
BASE EZ-REACH & LAZY SUSANS

SKU	1	2
BER33	754	862
BER36	754	862
BLS33L/R-WD	1 189	1309
BLS36L/R-PT	1076	•
BLS36L/R-WD	1 189	1309

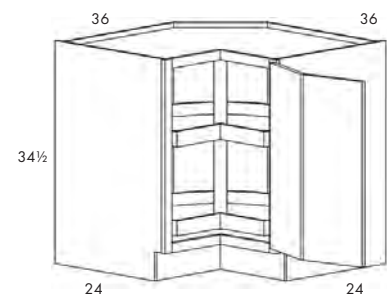
- EZ REACH Includes 1 full depth adjustable shelf
- White Polymer Trays (-PT) use pole for support
- Trays are 27" diameter
- Fits through 2'8" house door as assembled
- Plywood cleat packs (for countertop support) are offered on pg. 60



Drawing depicts BER with adjustable wood shelves.



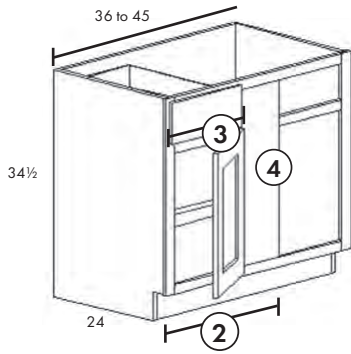
Drawing depicts wood trays supported by shelf



If purchasing BLS36-PT (Polymer Tray) the shelves are supported by a steel pole.



BASE BLIND



Right Blind Shown

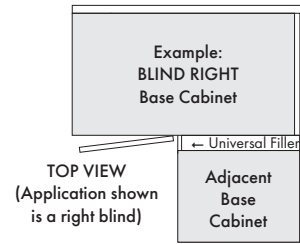
Example: *BB36-42 cabinet is actually 36" wide

Cabinet Type	Actual cabinet	Actual Cab Width	(2) *Cab Face Size	(3) Frame Opening at Cab. Face	(4) Max Exposed Stile	Min pull	Max Pull
Bella	BB36-42	36"	12"	9"	8 1/4"	3"	7"
	BB39-45	36"	15"	12"	8 1/4"	3"	7"
	BB42-48	42"	18"	15"	8 1/4"	3"	7"
All Other Framed Doors	BB36-42	36"	12"	9"	7 1/2"	3"	7"
	BB39-45	36"	15"	12"	7 1/2"	3"	7"
	BB42-48	42"	18"	15"	7 1/2"	3"	7"

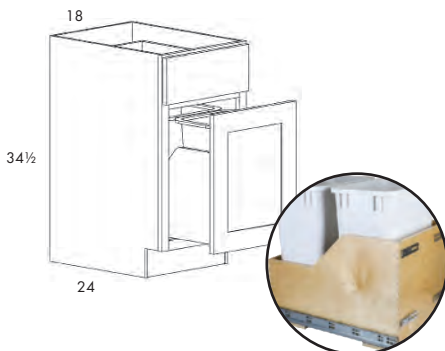
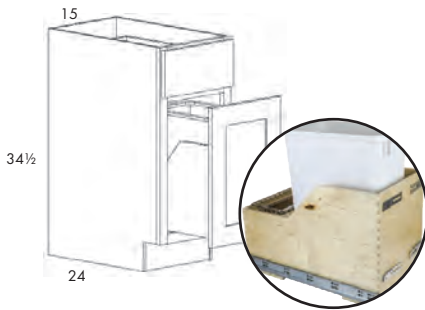
SKU	1	2
BB36-42BL/BR	564	600
BB39-45BL/BR	573	612
BB42-48BL/BR	646	693

- CAUTION: CABINET MUST BE PULLED TO BYPASS ADJACENT HANDLES, KNOBS and OBSTRUCTIONS.
- Cabinet face size is the same as a cabinet.
IE: Face size of 12 means door and frame are same size as B12

Filler not included with cabinet



BASE WASTE BASKETS

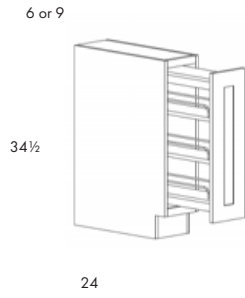


SKU	1	2
BWB15	920	1061
BWBD18	1066	1189

- BWB15 Single Waste Basket includes 1 Waste Basket
- BWBD18 Double Waste Basket includes 2 Waste Baskets
- Each waste basket has 35 quart capacity
- Depth modification not allowed on Waste Basket
- Door is bored out for hinges



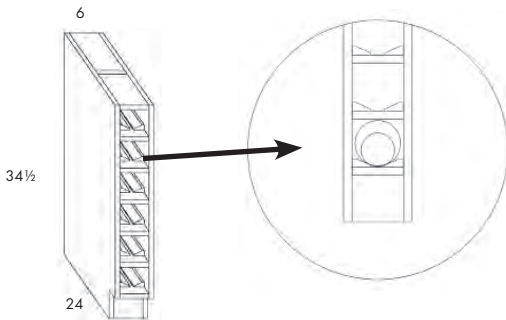
BASE SPICE PULL-OUT CABINET



SKU	1	2
BSP06	743	800
BSP09	856	909
*BUPO9	1458	1504

- Utilizes Soft Close undermount slide.
- BSP06 has 4 1/2" opening
- BSP09 has 7 1/2" opening
- See 3" Spice Pull Out on pg. 60
- *See pg. 12 for Revashelf graphic

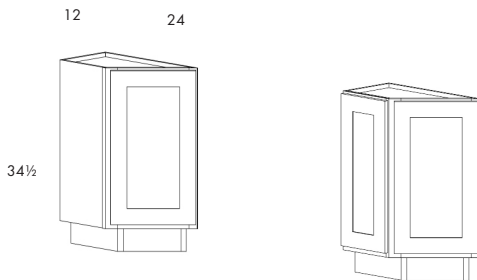
BASE WINE CUBBY



SKU	1	2
BWC-6	1020	1020

- Trimmable to 12" depth.
- Shelves center wine bottles in opening
- Suitable for bottles up to 4 1/4" diameter.
- This cabinet **cannot** be used as a wall cabinet

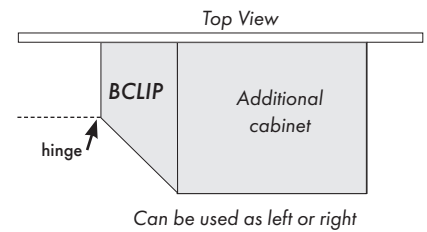
BASE CLIP



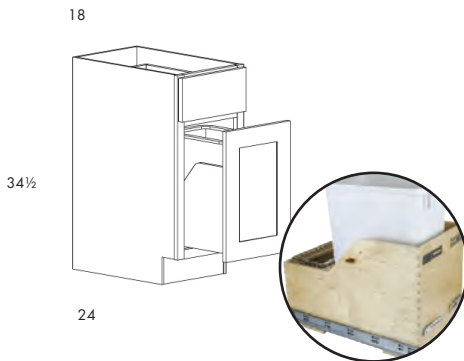
SKU	1	2
BCLIP	877	966

- Has 2 adjustable shelves - hinges are located on the short side.
- Detached toe makes it reversible
- Functionally designed to allow 24" - 12" cabinet transitions

Example: Add Wall Skin (pg. 57) and DP30T (pg. 49) to achieve the styled look at end of BClip



BASE LAUNDRY HAMPER



SKU	1	2
BLH18	1066	1118

- Includes hamper*
- *Hamper does not come with top





TALL PANTRY

SKU		1	2
TP1884	SINGLE	1061	1155
TP2484-S	SINGLE	1262	•
TP2484	PAIR	1383	1383
TP1893	SINGLE	1146	1242
TP2493-S	SINGLE	1362	•
TP2493	PAIR	1482	1482
TP3093	PAIR	1621	1746
TP1893-27D	SINGLE	1888	1983
TP2493-S-27D	SINGLE	2104	•
TP2493-27D	PAIR	2224	2224
TP3093-27D	PAIR	2362	2488

- 1 adjustable shelf in top and 3 adjustable shelves in bottom
- All 93 Tall cabinets have 2 shelves in top section
- 3 hinges on bottom doors
- Reduce depth to 21" for Linen cabinet

Single Door

18 & 24

84
or
93



56"
opening at
bottom section

24

Paired Doors

24, 30

84
or
93



56"
opening at
bottom section

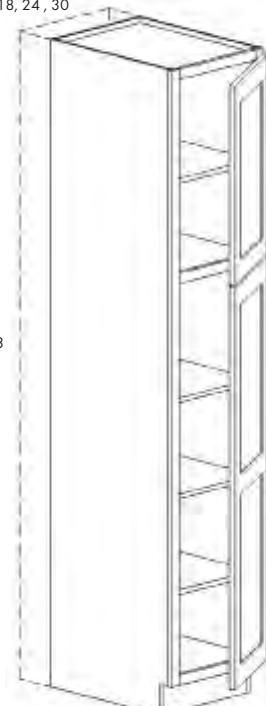
24

Available SKUs
TP2484
TP2493
TP3093

27" Deep Pantry

18, 24, 30

93



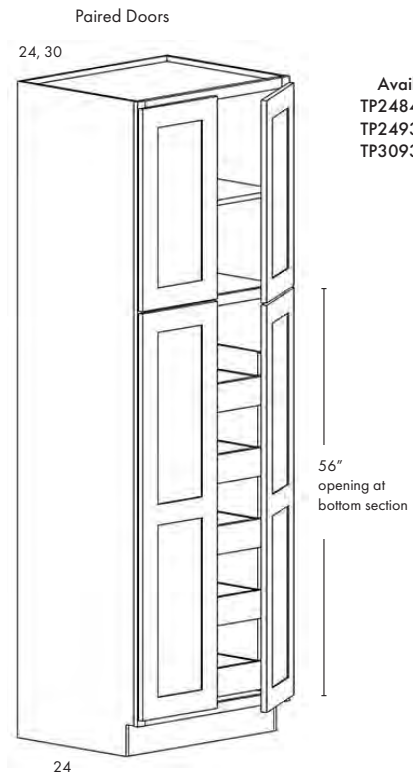
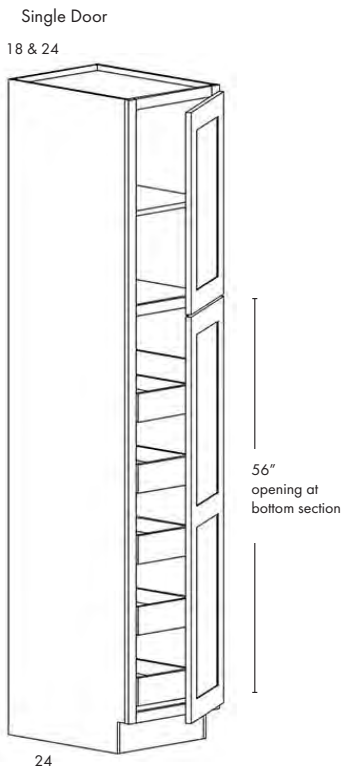
56"
opening at
bottom section

27

TALL PANTRY WITH 5 ROS

SKU		1	2
TP1884-5ROS	SINGLE	2074	2168
TP2484-S-5ROS	SINGLE	2391	•
TP2484-5ROS	PAIR	2512	2512
TP1893-5ROS	SINGLE	2160	2255
TP2493-S-5ROS	SINGLE	2491	•
TP2493-5ROS	PAIR	2611	2611
TP3093-5ROS	PAIR	2866	2991

- All 93 tall cabinets have 2 shelves in top section, all 84 tall cabinets have 1 adjustable shelf in top section
- 5 ROS in bottom section
- Reduce depth to 21" for Linen cabinet. Reduce depth modification requires cabinet depth and roll out shelf to be modified
- ROS are adjustable - usable height set at factory is :
Top ROS - 14½"
Bottom 4 ROS - 9"
- 3 hinges on bottom doors



Available SKUs
TP2484
TP2493
TP3093



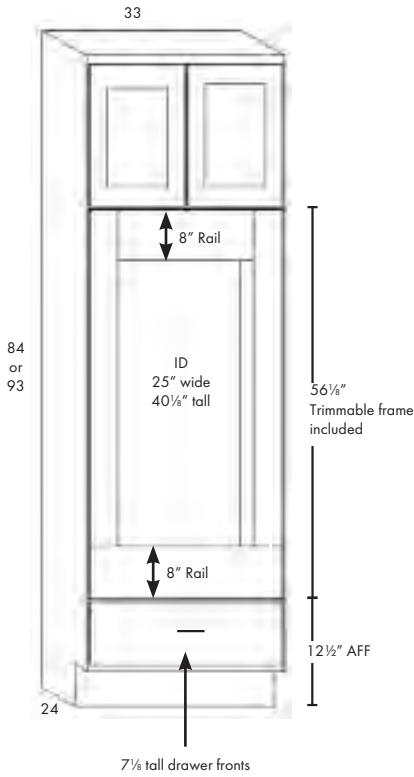
OVEN CABINET

SKU	1	2
OC3384-1D	2006	2212
OC3384-2D	2311	2534
OC3384-3D	2696	2856
OC3393-1D	2202	2434
OC3393-2D	2507	2756
OC3393-3D	2812	3078

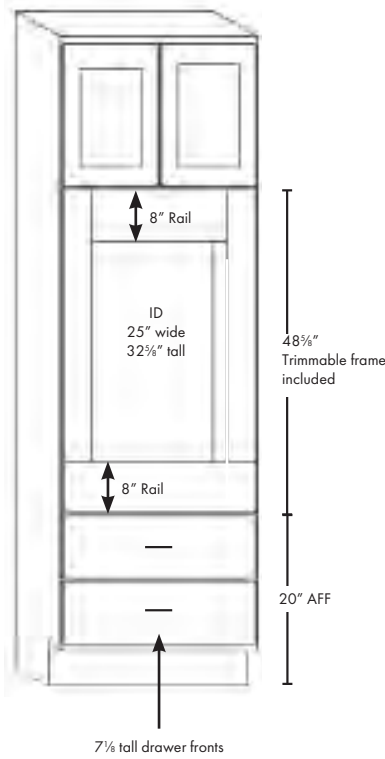
- Our Oven Cabinets are supplied with a trimmable frame that applies to the standard face frame and lines up with doors.
- Shelf is supplied to be mounted in the field for Oven Cabinet support
- Frame supplied to be trimmed in the field

Door Grid for Oven Cabinets		
Cab Height	Top Door Height	Adj Shelf
84	15	0
93	24	1

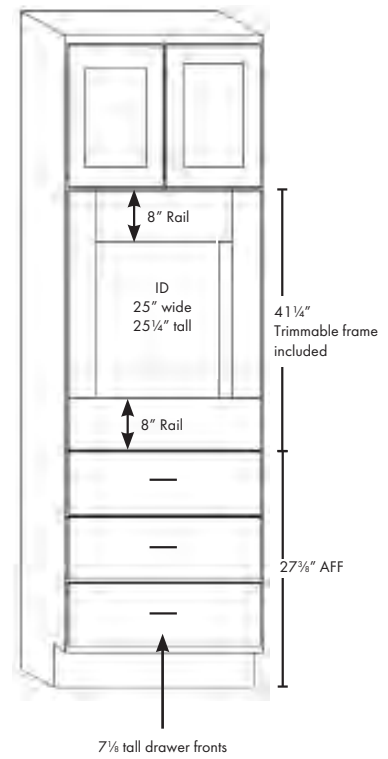
OC3384-1D - 84" tall
OC3393-1D- 93" tall



OC3384-2D - 84" tall
OC3393-2D- 93" tall



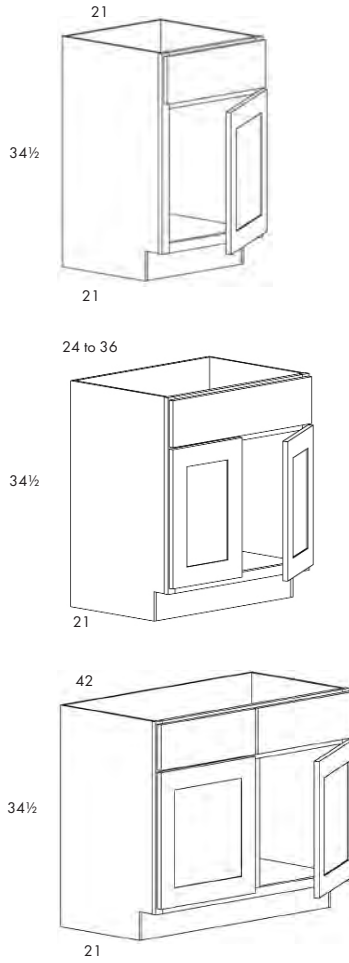
OC3384-3D - 84" tall
OC3393-3D- 93" tall



*AFF - Above Finished Floor

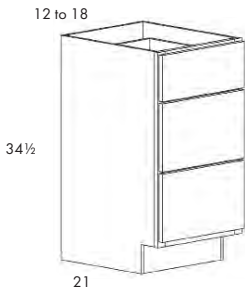


21" - 42" VANITY SINK



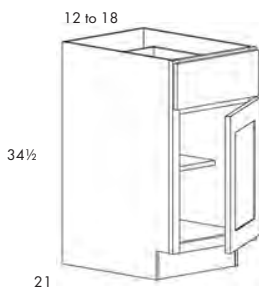
SKU	1	2
VS21	406	471
VS24	448	498
VS27	486	542
VS30	525	584
VS33	541	615
VS36	576	644
VS42	657	699
VS21-1ROS	628	698
VS24-1ROS	684	739
VS27-1ROS	734	794
VS30-1ROS	783	848
VS33-1ROS	811	891
VS36-1ROS	858	930

VANITY DRAWER STACK



SKU	1	2
VD312	592	701
VD315	662	774
VD318	730	846

VANITY BASE WITH TOP DRAWER

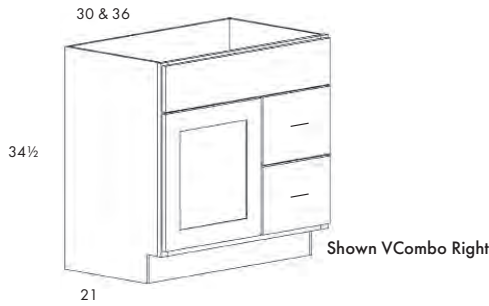


SKU	1	2
VB12	378	458
VB15	419	510
VB18	457	554



VANITY COMBOS

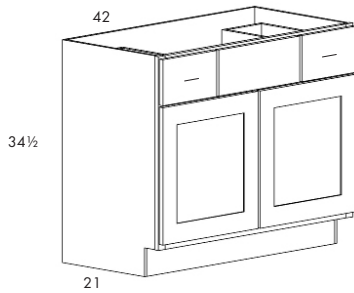
VCOMBO30 & VCOMBO36



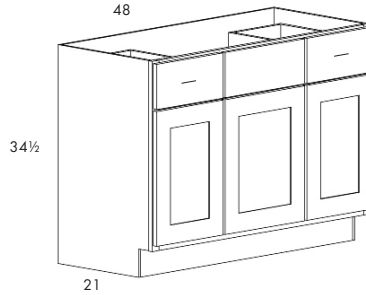
SKU	1	2
VCOMBO30L/R	692	818
VCOMBO36L/R	746	922
VCOMBO42	803	998
VCOMBO48	971	1182
VCOMBO54	1241	•
VCOMBO60DB	1149	•

- VCombo30 L or R 12" Drawer, 18" Door (9" wide frame opening)
- VCombo36 L or R 15" Drawer, 21" Door (12" wide frame opening)
- VCombo 42 Drawer Front faces 12/18/12
- VCombo 48 - faces 15/18/15
- VCombo54 - faces 18/18/18
- VCombo60DB - faces 21/18/21
- Does not come with Scribe/Toeskin

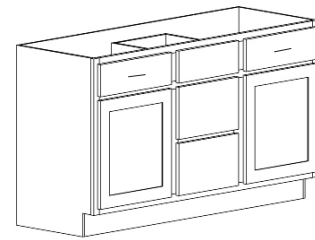
VCOMBO42



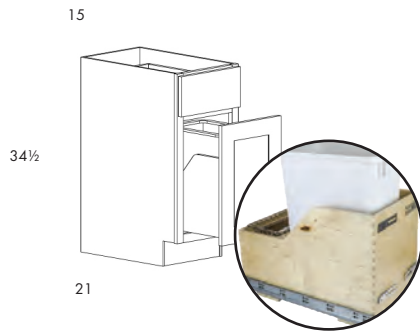
VCOMBO48/54



VCOMBO60DB



VANITY WASTE BASKET

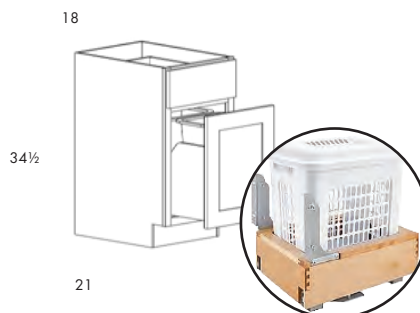


SKU	1	2
VWB15	963	1101

- Single waste basket
- Each garbage can has 35 quart capacity
- Includes Waste Basket
- Depth modification not allowed on Waste Basket



VANITY LAUNDRY HAMPER



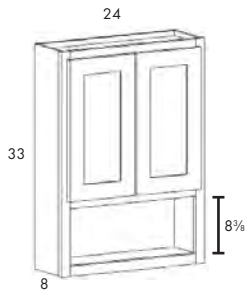
SKU	1	2
VLH18	1004	1147

- Depth modification not allowed on Laundry Hamper
- Includes Hamper*
- *Hamper does not come with top





24" VANITY WALL OPEN SHELF



SKU

1

2

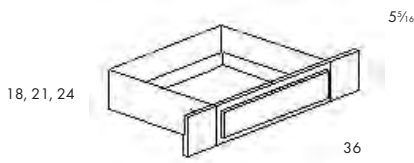
VWOS2433

647

708

- Finished interior matches cabinet color

KNEE DRAWER



SKU

1

2

KD36-18D

349

370

KD36-21D

349

370

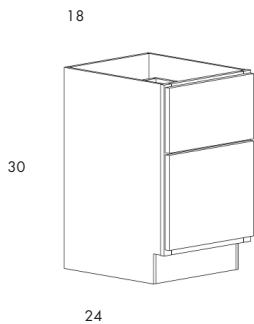
KD36-24D

322

343

- Trimable down to 24" wide & 18" deep by purchaser. *Depth refers to depth of drawer box. Depth of box carcass is always 24"*
- This drawer front is **slab only** in all door styles

FILE DESK DRAWER - 24" DEEP



SKU

1

2

FDD18

623

710

- File Drawer Desk allows Pendaflex file system in lower drawer, not included

ADA HEIGHT

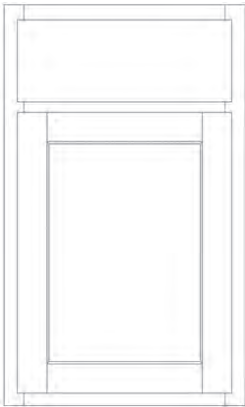


— Special Order —

Supplementary Products for ADA and Fair Housing
6 Week Lead Time

MODIFICATIONS ARE NOT ALLOWED ON ADA CABINETS

ADA CABINET SPECIFICATIONS



BELLA PLUS

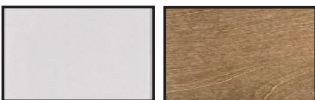
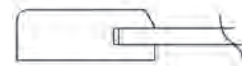
Price Code

Color Specification

1

Smoked Cashew (CS)
White Painted (WH)

- 1/2" Overlay
- Door - 2 3/8" stile & rail
- Top and bottom are "back-beveled" for finger pull



PARK PLACE

Price Code

Color Specification

2

White Painted (WH)
Smoked Cashew (CS)

- 1 1/4" Overlay
- Drawer hardware mounting space = 2 7/8" tall
- Drawer Front - 3" stile, 2 1/8" rail



COLOR FINISHED PER ORDER

1. Doors

- Mortise and tenon solid wood stiles and rails.
- Painted doors mortise and tenon made from MDF.

2. Hinges

- Soft-Close concealed hinge with 107° opening.

3. Face Frame

- 3/4" x 1 1/2" solid wood mortise and tenon.
- Comes pre-drilled for hinges Left and Right

4. Backs

- 1/2" select birch veneer plywood.
- Ultraviolet clear finish.

5. Side Panels

- 1/2" select maple laminate furniture board.
- Ultraviolet clear finish inside cabinet
- Exterior finished to match the frame and door.

6. Adjustable Shelving

- 3/4" select maple laminate furniture board with matching front edge banding.
- Base cabinet shelf depth 15 5/16".

7. Tops and Bottoms

- 1/2" select maple laminate furniture board
- Ultraviolet clear finish.

8. Drawer Boxes

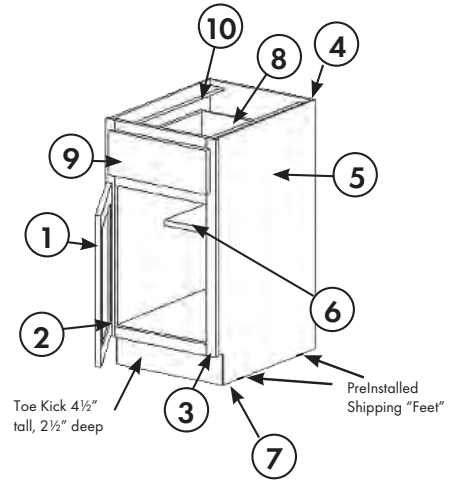
- Hybrid dovetail solid maple
- 1/2" furniture board bottoms
- Undermount soft close full extension drawer slides.

9. Drawer Box Interior Depth

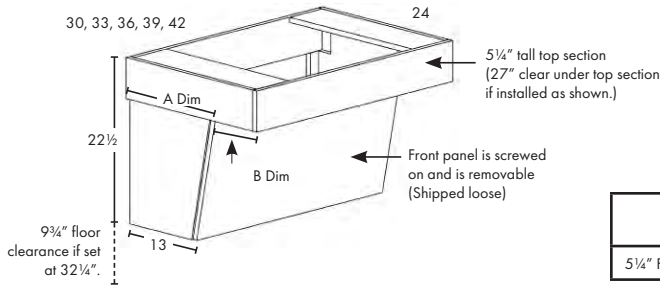
- 3 3/8" interior top drawer functional depth.
- Deeper than most competitors.

10. Panel Beams

- 1/2" thick x 2 1/4" furniture board panel beams.



BASE DEPTH – WALL HUNG

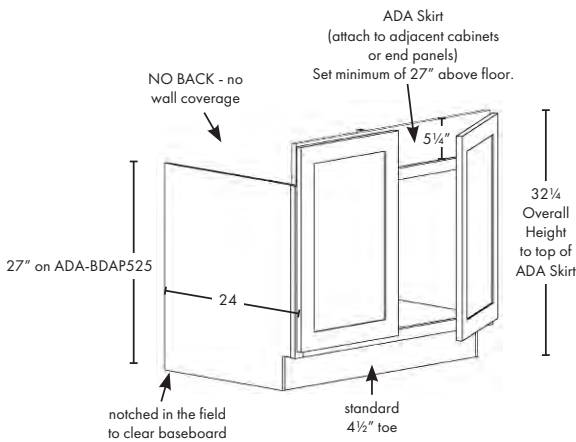


	A Dimension (includes front panel)	B Dimension
5 1/4" Face	16	8

SKU	PRICE
ADA-BWH-30	1262
ADA-BWH-33	1286
ADA-BWH-36	1313
ADA-BWH-39	1343
ADA-BWH-42	1377

- Designed to support a countertop in a freestanding application. Ensure adequate wall blocking for support.
- Front panel may have to be trimmed to accommodate sink or garbage disposal.
- Base depth is 24" deep

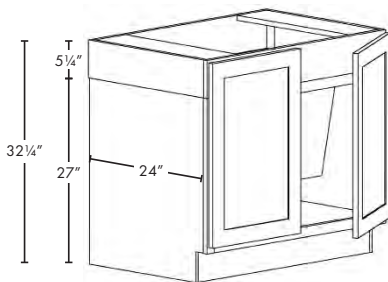
BASE DEPTH – ADA ADAPTABLE WITH ADA SKIRT



SKU	1	2
ADA-BDAP-30	942	1022
ADA-BDAP-33	976	1059
ADA-BDAP-36	995	1081
ADA-BDAP-39	1019	1107
ADA-BDAP-42	1054	1145

- Doors line up with adjacent cabinet faces.
- This cabinet does **NOT** have a back.
- Adjustable shelf is not included
- Application is designed to fit between cabinets or end panels. The ADA Skirt should be permanently attached to adjacent cabinets or end panels. Adaptable cabinet can be removed and ADA Skirt stays in place.

BASE DEPTH – ADA ADAPTABLE AND WALL HUNG COMBO

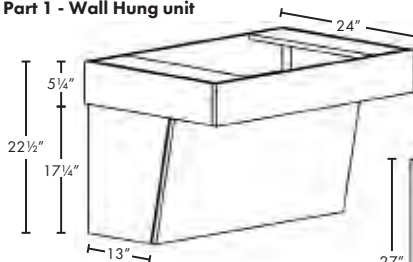


SKU	1	2
ADA-BCOMBO-30	1951	2132
ADA-BCOMBO-33	2004	2190
ADA-BCOMBO-36	2045	2235
ADA-BCOMBO-39	2099	2295
ADA-BCOMBO-42	2142	2342

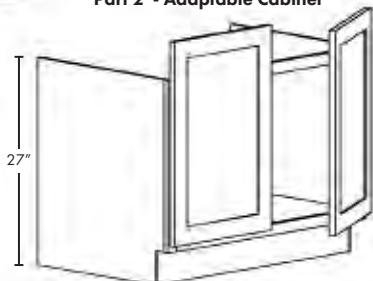
- As Installed - (Wall Hung and Adaptable Cabinet Combo)
- ADA Adaptable cabinet can be removed. For use in tight spaces where there are no adjacent cabinets or end panels.
- CAUTION: if installed adjacent a wall - use of a BEP. (Base End Panel) may be desired for baseboard or chair rail to terminate.
- ADA Skirt **not** included or required with Combo
- Wall Hung unit attaches to wall
- Adaptable Cabinet slides underneath Wall Hung unit
- Wall Hung grain is horizontal. Base Adaptable side is vertical grain.

Assembly Includes

Part 1 - Wall Hung unit

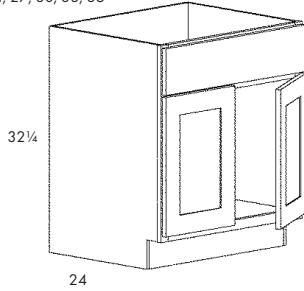


Part 2 - Adaptable Cabinet



ADA BASE SINK

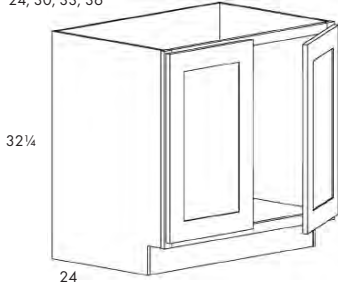
24, 27, 30, 33, 36



SKU	1	2
ADA-BS24	757	818
ADA-BS27	782	846
ADA-BS30	806	873
ADA-BS33	830	899
ADA-BS36	859	931

ADA BASE SINK FULL HEIGHT DOORS

24, 30, 33, 36

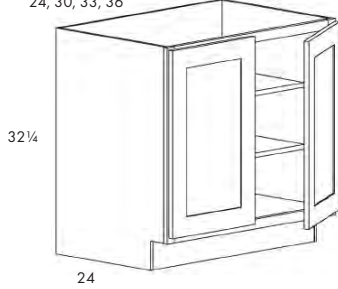


SKU	1	2
ADA-BSFH24	762	825
ADA-BSFH30	797	862
ADA-BSFH33	834	903
ADA-BSFH36	870	942

- Sink base full height doors includes 1/4" skin that is 4 1/4" tall behind top rail

ADA BASE FULL HEIGHT DOORS

24, 30, 33, 36

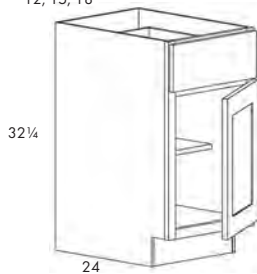


SKU	1	2
ADA-BFH24	934	1013
ADA-BFH30	995	1081
ADA-BFH33	1075	1169
ADA-BFH36	1112	1209

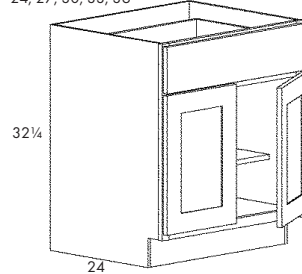
- 2 full depth adjustable shelves included

ADA BASE

12, 15, 18



24, 27, 30, 33, 36

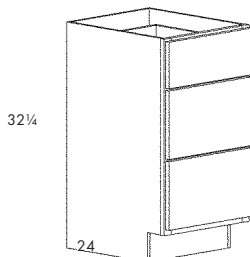


SKU	1	2
ADA-B12	657	686
ADA-B15	698	730
ADA-B18	737	774
ADA-B24	825	863
ADA-B27	852	894
ADA-B30	906	952
ADA-B33	926	974
ADA-B36	987	1042

- Add ROS modifications available.

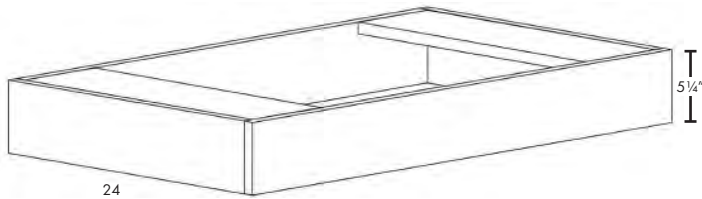
ADA 3-DRAWER BASE

12, 15, 18, 24



SKU	1	2
ADA-BD312	906	907
ADA-BD315	966	973
ADA-BD318	1026	1038
ADA-BD324	1150	1175

BASE BOX SINGLE - BASE DEPTH



Top View

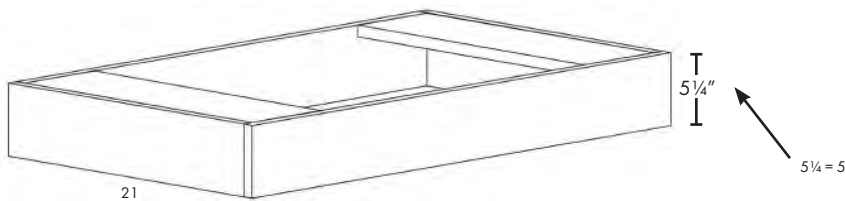


Top stretchers are pocket screwed on 3 sides.
Front and back, left and right sides are L-bracketed together.

SKU	PRICE
ADA-BBOXS-30	827
ADA-BBOXS-33	844
ADA-BBOXS-36	861
ADA-BBOXS-42	895
ADA-BBOXS-48	929

- *All components are solid wood
- *Requires support from adjacent cabinets or adjacent walls or Corbels/Brackets underneath
- BBOX is 24" deep
- Can be used for sink or cooktop applications.
- For freestanding applications, use Steel Utility Brackets 1.5x21 with a wood backer or other suitable support.

VANITY BOX SINGLE - VANITY DEPTH



Top View

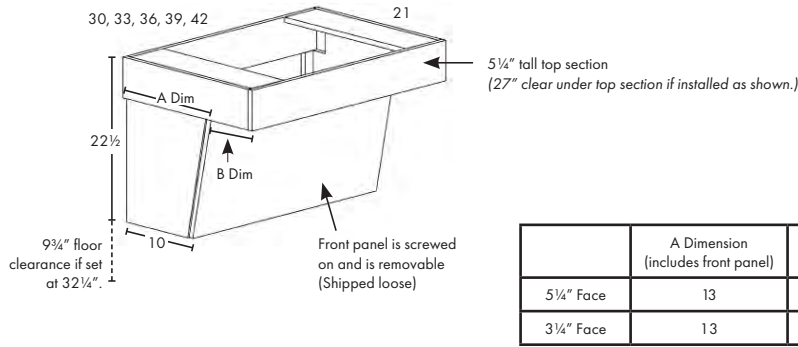


Top stretchers are pocket screwed on 3 sides.
Front and back, left and right sides are L-bracketed together.

SKU	PRICE
ADA-VBOXSS-30	827
ADA-VBOXSS-33	844
ADA-VBOXSS-36	861
ADA-VBOXSS-42	895
ADA-VBOXSS-48	929

- *All components are solid wood
- *Requires support from adjacent cabinets or adjacent walls or Corbels/Brackets underneath
- For freestanding applications, use Steel Utility Brackets 1.5x21 with a wood backer or other suitable support.
- Can be used for sink or cooktop applications.
- VBOX is 21" deep

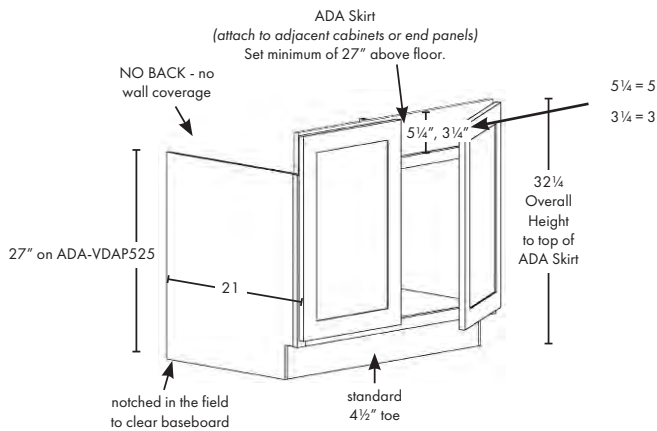
VANITY DEPTH – WALL HUNG



SKU	PRICE
ADA-VWH5-30	1262
ADA-VWH5-33	1286
ADA-VWH5-36	1313
ADA-VWH5-39	1343
ADA-VWH5-42	1377

- Designed to support a countertop in a freestanding application. Ensure adequate wall blocking for support.
- Front panel may have to be trimmed to accommodate sink or garbage disposal.
- Vanity depth is 21" deep

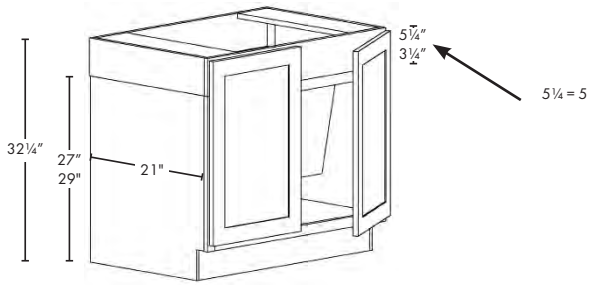
VANITY DEPTH – ADA ADAPTABLE WITH ADA SKIRT



SKU	1	2
ADA-VDAP5-30	942	1022
ADA-VDAP5-33	976	1059
ADA-VDAP5-36	995	1081
ADA-VDAP5-39	1019	1107
ADA-VDAP5-42	1054	1145

- Doors line up with adjacent cabinet faces.
- This cabinet does **NOT** have a back.
- Adjustable shelf is not included
- Application is designed to fit between cabinets or end panels. The ADA Skirt should be permanently attached to adjacent cabinets or end panels. Adaptable cabinet can be removed and ADA Skirt stays in place.

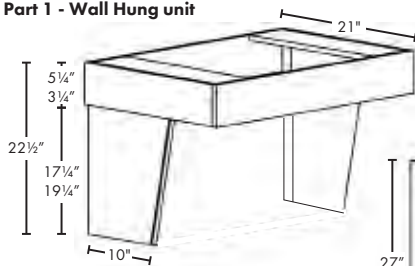
VANITY DEPTH – ADA ADAPTABLE AND WALL HUNG COMBO



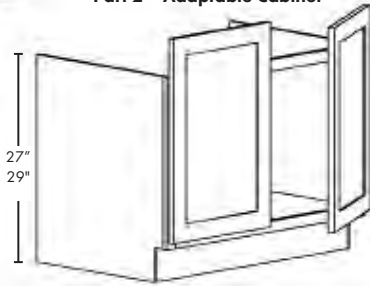
SKU	1	2
ADA-VCOMBO5-30	1951	2132
ADA-VCOMBO5-33	2004	2190
ADA-VCOMBO5-36	2045	2235
ADA-VCOMBO5-39	2099	2295
ADA-VCOMBO5-42	2142	2342

Assembly Includes

Part 1 - Wall Hung unit



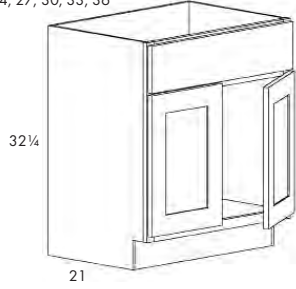
Part 2 - Adaptable Cabinet



- As Installed - (Wall Hung and Adaptable Cabinet Combo)
- ADA Adaptable cabinet can be removed. For use in tight spaces where there are no adjacent cabinets or end panels.
- CAUTION: if installed adjacent a wall - use of a VEP. (Vanity End Panel) may be desired for baseboard or chair rail to terminate.
- ADA Skirt **not** included or required with combo
- Wall Hung unit attaches to wall
- Adaptable Cabinet slides underneath Wall Hung unit
- Wall Hung grain is horizontal. Base Adaptable side is vertical grain.

ADA VANITY SINK

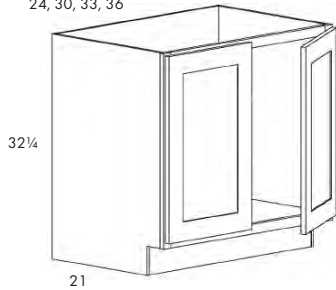
24, 27, 30, 33, 36



SKU	1	2
ADA-VS24	729	788
ADA-VS27	762	825
ADA-VS30	806	873
ADA-VS33	832	901
ADA-VS36	859	931

ADA VANITY SINK FULL HEIGHT DOORS

24, 30, 33, 36

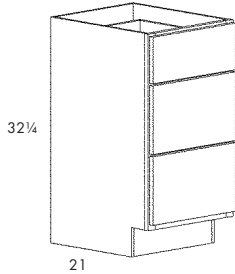


SKU	1	2
ADA-VSFH24	762	825
ADA-VSFH30	797	862
ADA-VSFH33	834	903
ADA-VSFH36	870	942
ADA-VSFH42	906	982

- Sink base full height doors includes 1/4" skin that is 4 1/4" tall behind top rail

ADA VANITY DRAWER STACK

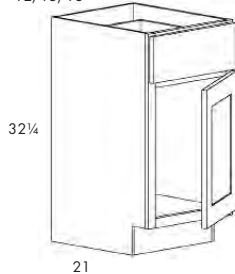
12, 15, 18, 24



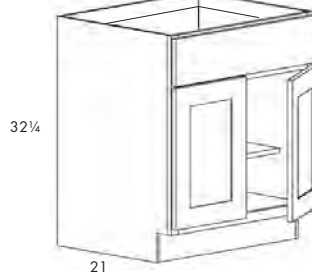
SKU	1	2
ADA-VD312	906	907
ADA-VD315	966	973
ADA-VD318	1026	1038
ADA-VD324	1150	1175

ADA VANITY BASE - WITH TOP DRAWER

12, 15, 18



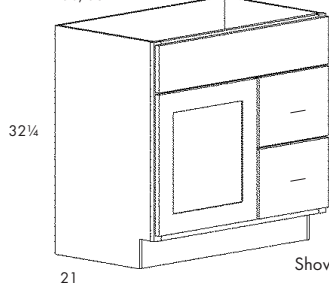
24, 27, 30, 33, 36



SKU	1	2
ADA-VB12	657	686
ADA-VB15	698	730
ADA-VB18	737	774
ADA-VB24	825	863
ADA-VB27	865	907
ADA-VB30	906	952
ADA-VB33	945	995
ADA-VB36	987	1042

ADA VANITY COMBOS

30, 36

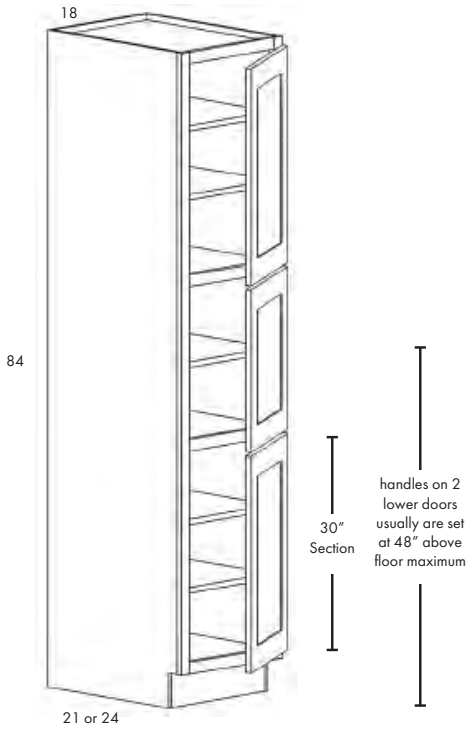


Shown Right

SKU	1	2
ADA-VC30L/R	1045	1082
ADA-VC36L/R	1100	1143

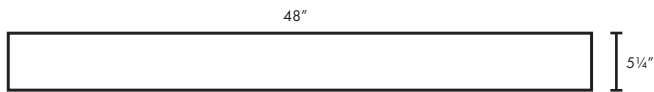
SKU	DRAWER WIDTH	DOOR WIDTH
ADA-VC30	12"	18"
ADA-VC36	15"	21"

ADA TALL PANTRY/LINEN



SKU	1	2
ADA-TL1884	1629	1770
ADA-TP1884	1629	1170

ADA SKIRT

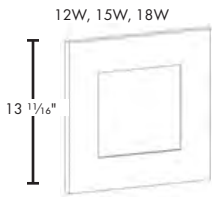


SKU	PRICE
ADA-SKIRT48	306

- Cut to fit
- Fits between Cabinets or End Panels

**GREEN FOREST
TRIM, MOULDING & ACCESSORIES**

DOOR PANELS FOR STACKERS

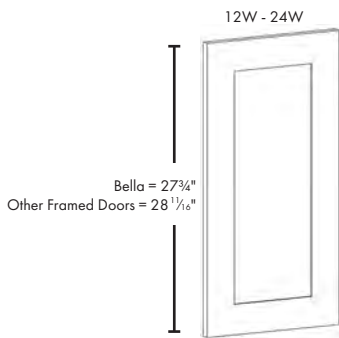


STD	Net Width
12" W	11 1/2"
15" W	14 1/2"
18" W	17 1/2"

SKU	A	STD
DP15T-12W	•	119
DP15T-15W	•	143
DP15T-18W	•	169

* Available ONLY for Park Place

**DOOR PANELS FOR
BASE ENDS & BACKS**

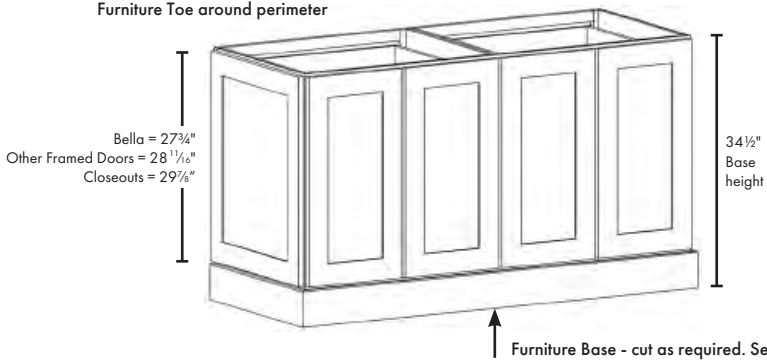


SKU	A	STD
DP30T-12W	150	159
DP30T-13.5W	167	174
DP30T-15W	184	191
DP30T-16.5W	203	208
DP30T-18W	223	225
DP30T-21W	261	272
DP30T-24W	313	337

- These door panels are the same height/width as doors from Wall 30" high cabinets.
- Parts used in example - 1/4" Sheet Good applied to back, 1/4" Base Skin applied to ends, corners of 1/4" Skin or apply Outside Corner moulding (OCM), apply Door Panels and Furniture Base.

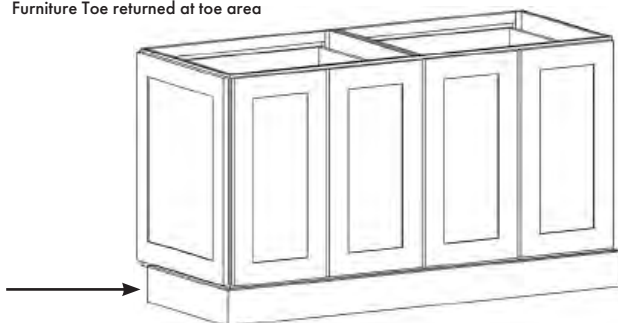
DOOR & END PANELS

**Example 1 - Island Back and End
Furniture Toe around perimeter**

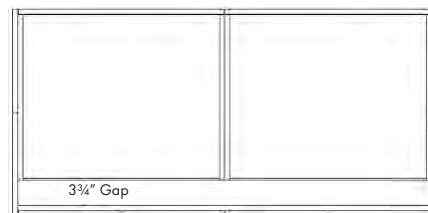


Bella (27 3/4" tall)	Net Width	Other Framed Doors (28 1/8" tall)	Net Width
12"W	10"	12"W	11 1/2"
13 1/2"W	12 1/2"	13 1/2"W	13 1/4"
15"W	13"	15"W	14 1/2"
16 1/2"W	15 1/2"	16 1/2"W	16 1/4"
18"W	16"	18"W	17 1/2"
21"W	19"	21"W	20 1/2"
24"W	22"	24"W	23 1/2"

**Example 2 - Island Back and End
Furniture Toe returned at toe area**



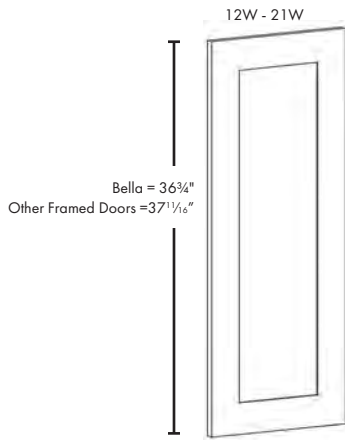
Example 1 - Top View



Example 1 - As Shown

- Door Panels
- 1/2 Sheetgood applied to cabinet backs with spacers
- Furniture Base

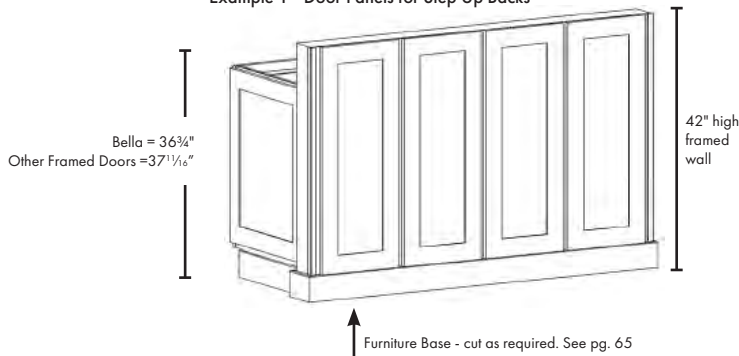
**DOOR PANELS FOR
STEP-UP BACKS**



SKU	A	STD
DP39T-12W	199	210
DP39T-13.5W	218	225
DP39T-15W	238	242
DP39T-16.5W	276	293
DP39T-18W	317	344
DP39T-21W	380	412

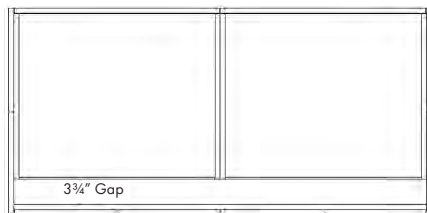
- These door panels are the same height/width as doors from Wall 39" high cabinets.
- Parts used in example - 1/4" Sheetgood applied to back, ends and small portion of framed wall front, Furniture Base applied, Outside Corner moulding (OCM) applied, Door Panels applied.

Example 1 - Door Panels for Step Up Backs



Bella (36 3/4" tall)	Net Width	H&H (37 1/8" tall)	Net Width
12"W	10"	12"W	11 1/2"
13 1/2"W	12 1/2"	13 1/2"W	13 3/4"
15"W	13"	15"W	14 1/2"
16 1/2"W	15 1/2"	16 1/2"W	16 1/2"
18"W	16"	18"W	17 1/2"
21"W	19"	21"W	20 1/2"

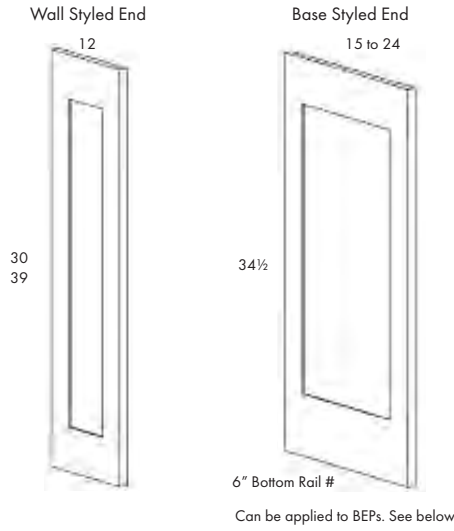
Example 1 - Top View



Example 1 - As Shown

- Door Panels
- 1/2 Sheetgood applied to cabinet backs with spacers
- Furniture Base

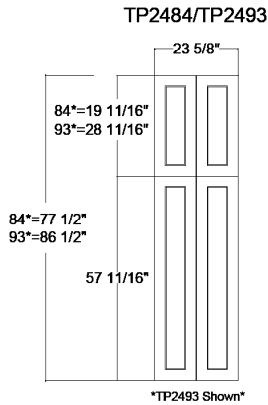
WALL & BASE STYLED ENDS



SKU	A	STD
WSE1230	206	218
WSE1239	247	286
BSE15	250	272
BSE18	298	323
BSE21	342	374
BSE24	403	442

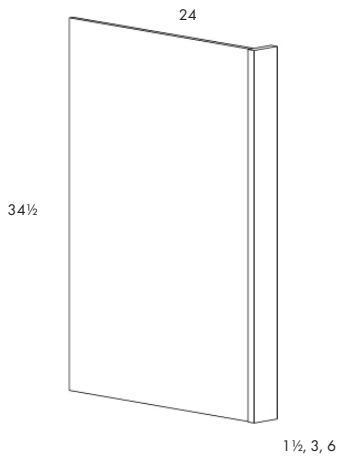
- Bella WSEs match Park Place door profiles
- Wall Styled Ends (WSE) are same height as cabinet door and include a wall skin.
- Base Styled Ends (BSE) are same height as base cabinet and extend to floor.

TALL STYLED ENDS



SKU	A	STD
TSE2484	•	995
TSE2493	•	1087

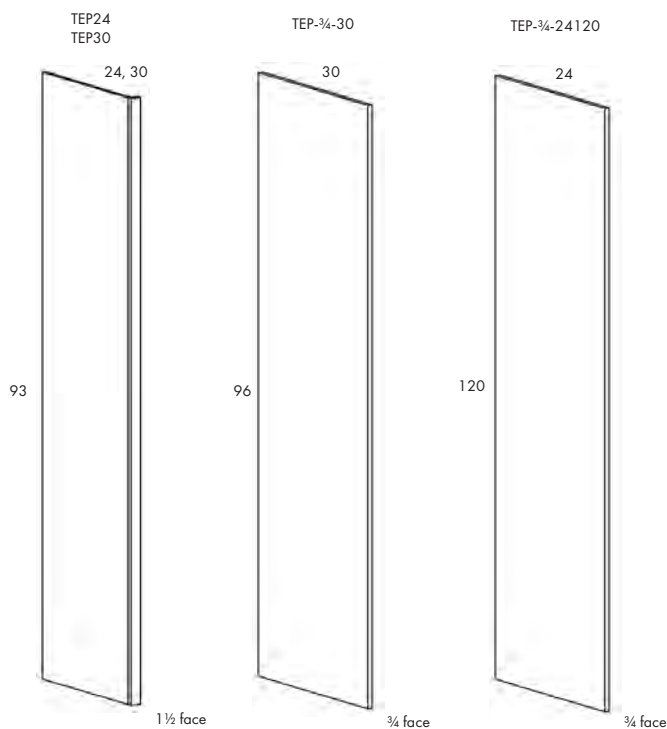
BASE END PANELS



SKU	STAIN	PAINT
BEP-1 1/2-PBD	82	82
BEP3-PBD	135	135
BEP6-PBD	214	214

- Panel is furniture board
- Trim to height as required

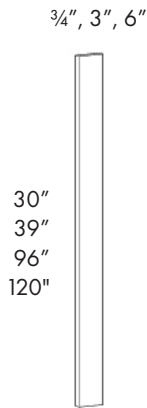
TALL END PANELS



SKU	STAIN	PAINT
TEP24-PBD	310	310
TEP30-PBD	388	388
TEP-3/4-30-PBD	466	466
TEP-3/4-24120	1800	1800

- Trim to height as required
- TEP 24 & TEP 30 — 1/2" furniture board with 1 1/2" solid wood frame
- TEP-3/4-30 — 3/4" thick furniture board - edge banded front and back
- Panel is furniture board except 120" TEP

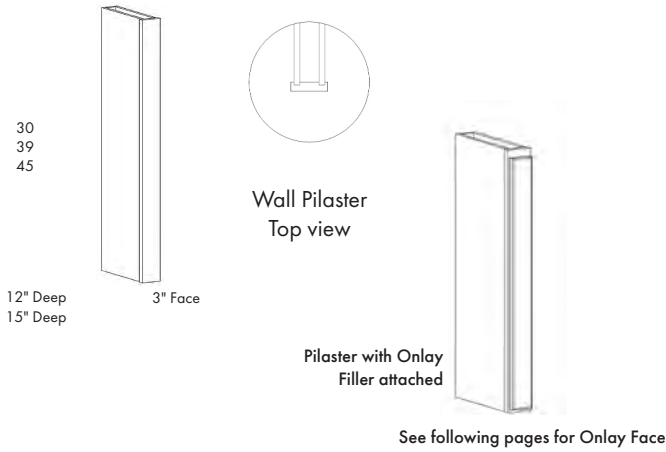
FILLERS



SKU	STAIN	PAINT
F3/4-30	33	33
F3-30	62	62
F6-30	123	123
F3-39	75	75
F6-39	150	150
F3-96	174	174
F6-96	347	347
F3-120	261	261
F6-120	521	521

- Fillers are finished on all edges

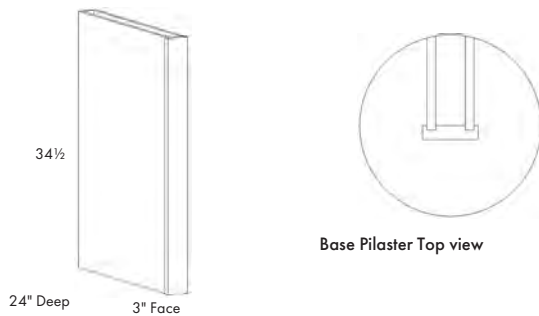
WALL PILASTER



SKU	STAIN	PAINT
PILW-330-12D	405	405
PILW-339-12D	454	454
PILW-345-12D	522	522
PILW-330-15D	405	405
PILW-339-15D	454	454
PILW-345-15D	522	522

- Not available in Ivory
- 1/4" Wall Skin can be added to flush sides

BASE PILASTER

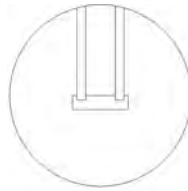
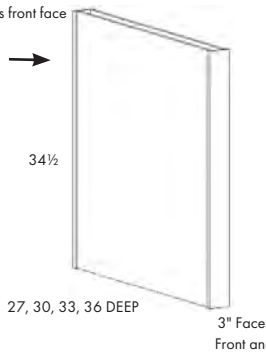


SKU	STAIN	PAINT
PILB-334-24D	573	573

- 1/4" Base Skin can be added to flush sides
- Not available in Ivory

ISLAND PILASTER

Back face same as front face



Island Pilaster Top view front and back face are same

3" Face
Front and back faces are the same

SKU

STAIN

PAINT

PILI-334-27D	658	658
PILI-334-30D	709	709
PILI-334-33D	757	757
PILI-334-36D	811	811

- 1/4" Skin can be added to flush sides

ISLAND SKIN

1/4" X 34 1/2" X 34 1/2"

SKU

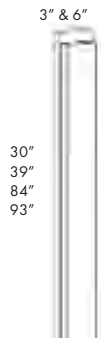
STAIN

PAINT

ISL36SKIN	252	252
-----------	-----	-----

- Can be field cut for 27, 30, 33 ISLAND PILASTER

ONLAY FACE (APPLIES TO FILLERS)



Park Place

SKU

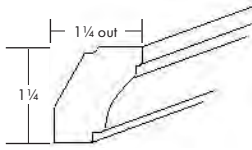
STAIN

PAINT

OLF(D)3-30	79	79
OLF(D)6-30	164	164
OLF(D)3-39	99	99
OLF(D)3-84	211	211
OLF(D)3-93	232	232

- Heights are designed for Park Place doors
- *Designed to apply to 3" filler (filler not included)
- *Utilized to make fillers appear more decorative
- Onlay Face is the height of doors and 1/2" narrower than filler - I.E. - 3" filler = 2 1/2" onlay face

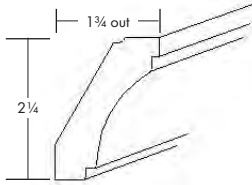
1 ¼ CROWN



SKU	STAIN	PAINT
CR1	159	159

- CR1 is 1 ¼" tall as installed

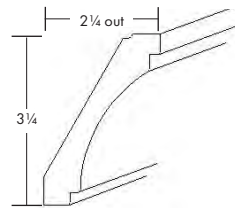
2 ¼ CROWN



SKU	STAIN	PAINT
CR2	221	221

- CR2 is 2 ¼" tall as installed

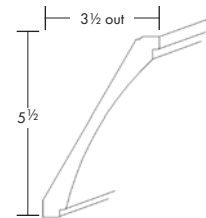
3 ¼ CROWN



SKU	STAIN	PAINT
CR3	259	259

- CR3 is 3 ¼" tall as installed

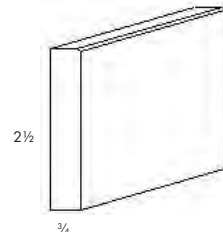
5 ½ CROWN



SKU	STAIN	PAINT
CR5	335	335

- CR5 is 5 ½" tall as installed

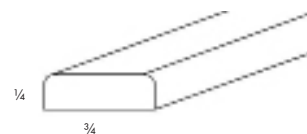
CROWN BACKER



SKU	STAIN	PAINT
CROWNBACK-XL	104	104
FBS5	364	364

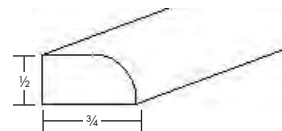
- Thickness is ¾" - can be used as back member for crown or many other applications
- For taller appliances, use furniture base

SCRIBE



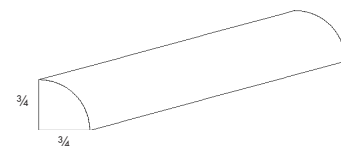
SKU	STAIN	PAINT
SCRIBE	57	57

SHOE



SKU	STAIN	PAINT
SHOE	85	85

QUARTER ROUND



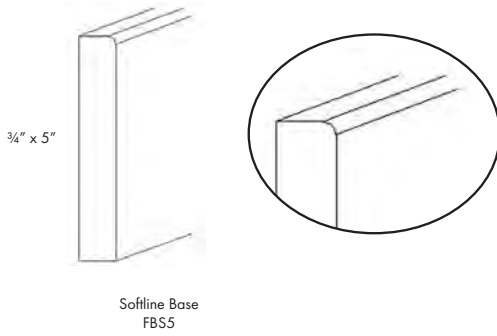
SKU	STAIN	PAINT
QROUND	85	85

TRIM & ACCESSORIES

TRIM & MOULDING

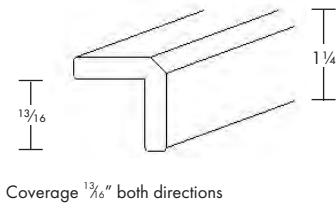
All mouldings are 8' long, unless otherwise noted

FURNITURE BASE



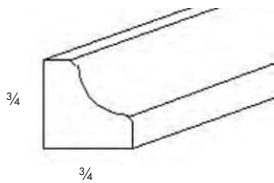
SKU	STAIN	PAINT
FBS5	364	364

OUTSIDE CORNER



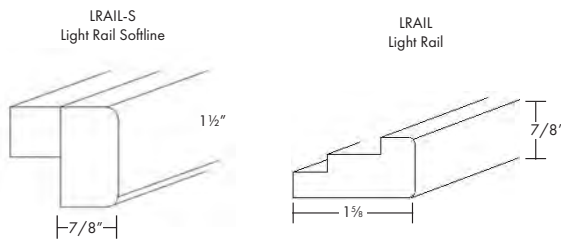
SKU	STAIN	PAINT
OCM	143	143

INSIDE CORNER



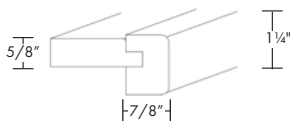
SKU	STAIN	PAINT
ICM	102	102

LIGHT RAIL



SKU	STAIN	PAINT
LRAIL-S	225	225
LRAIL	210	210

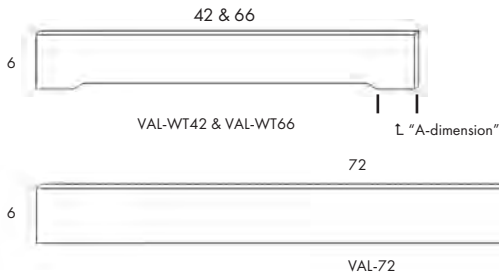
STACKER RAIL



SKU	STAIN	PAINT
STACKRAIL-S	225	225

- Use for seamlessly stacking cabinets
- Note glass door cabinet reveals differ from standard

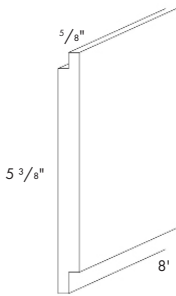
VALANCE



SKU	STAIN	PAINT
VAL-WT42	167	167
VAL-WT66	215	215
VAL-72	167	167

Val-WT42 "A-Dimension" flat is 5"
VAL-WT66 "A-Dimension" flat is 8"

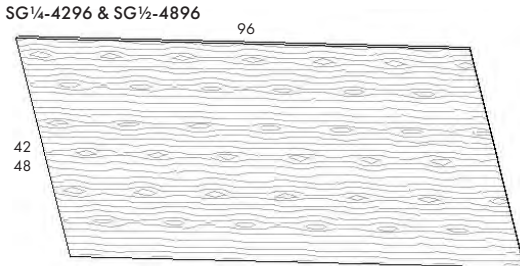
SHIPLAP



SKU	STAIN	PAINT
SHIPLAP	347	347

- Groove is 3/8"

SHEET STOCK



SKU	STAIN	PAINT
SG 1/4-4296	463	463
SG 1/2-4896-PBD	402	402

TOESKINS & END SKINS (1/4" THICK MATERIAL)

	SKU	STAIN	PAINT
BASE SKIN - 34 1/2" x 23 1/4"	BASESKIN	94	94
WALL SKIN - 39" x 11 1/4"	WALL39SKIN	50	50
WALL SKIN - 54" x 11 1/4"	W5412SKIN	75	75
WALL SKIN - 54" x 14 1/4"	W5415SKIN	126	126
TALL SKIN - 93" x 23 1/4"	TALL93SKIN	240	240
TOESKIN - 8' x 4 1/2"	TOESKIN	82	82
ISLAND SKIN - 34 1/2" x 34 1/2"	ISL36SKIN	252	252

TRIM & ACCESSORIES

CORBEL

SKU

STAIN

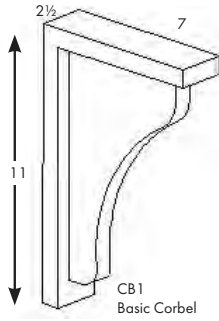
PAINT

CB1

142

142

- CB1 is 11" tall, 7" deep and 2½" wide



LEG

SKU

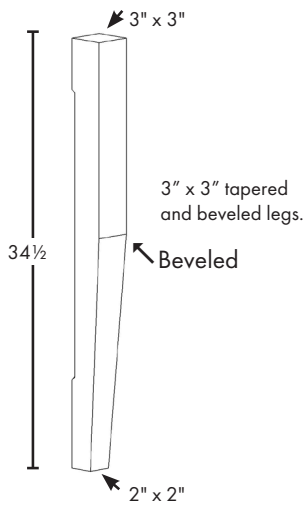
STAIN

PAINT

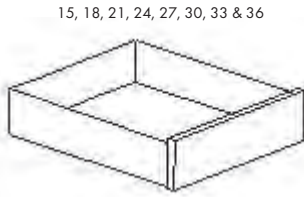
LEG2

436

436



DOVETAIL SOLID WOOD ROLL OUT SHELVES



Roll outs are adjustable!

SKU

ROS15-DT	196 + mounting bracket
ROS18-DT	211 + mounting bracket
ROS21-DT	225 + mounting bracket
ROS24-DT	240 + mounting bracket
ROS27-DT	255 + mounting bracket
ROS30-DT	269 + mounting bracket
ROS33-DT	284 + mounting bracket
ROS36-DT	298 + mounting bracket

- **Mounting Bracket sold separately, see below**
- All ROS come with soft close, full-extension slides
- Standard ROS are for 24" deep cabinets

DOVETAIL ROLL OUT SHELF MOUNTING BRACKET

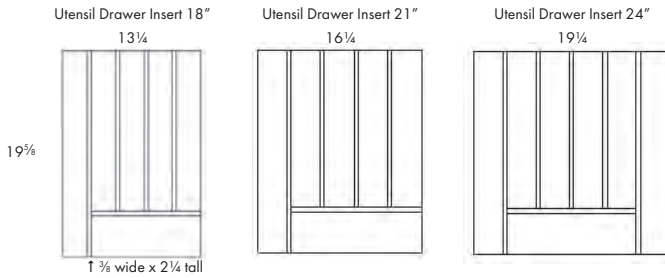
SKU

*ROSH-TALL-(DT)	213
**ROSH-BASE-(DT)	55

- Mounting bracket allows Roll Out Shelves to be adjustable
- *Tall Mounting Bracket Kit (47⁷/₈" Tall) Can mount up to 5 ROS
- **Base Mounting Bracket Kit (12²/₁₆" Tall) Can mount up to 2 ROS
- BFH uses Tall Mounting Bracket (ROSH-TALL-(DT)) that is cut down to fit.

ROLL OUT SHELVES

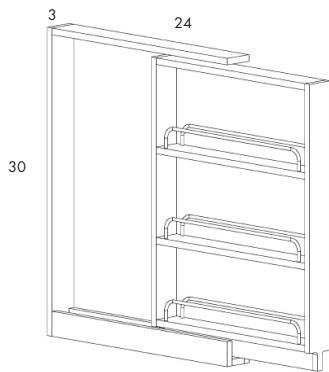
UTENSIL DRAWER



SKU	STAIN	PAINT
DRAWDIV18	242	242
DRAWDIV21	259	259
DRAWDIV24	276	276

- 1/4" bottom, 3/8 x 2 1/4 hardwood dividers

3" BASE SPICE PULL-OUT ACCESSORY

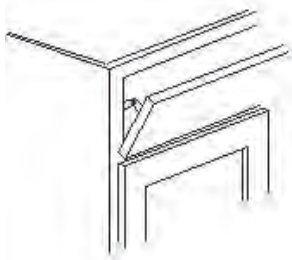


SKU	STAIN	PAINT
BSP03	837	837

- Uses stainless steel ball bearing slide - NOT Soft Close

1. NO finished SIDES are included
2. Must be installed between two cabinets
3. Set gap between 2 cabinets at 3 1/4"
4. Requires 3" filler as face, not included

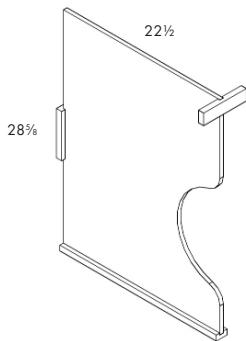
TILTOUT SINK FRONT



SKU	STAIN	PAINT
TILTOUTSF	179	179

- Trimmable
- Kit includes tray, 2 end caps and hinges
- 24" wide. Designed to fit into 30", 33" and 36" wide cabinets.
- KV™ polymer tray depth is 2 3/8"
- See Modifications on pg. 11 to have installed in cabinet.
- **CAUTION:** Most sinks do not allow the use of Tiltouts

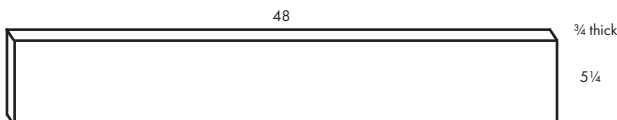
TRAY DIVIDER



SKU	STAIN	PAINT
TRAYDIV	162	162

- Fits in Base Full Height only. Not able to be installed in Standard Base cabinets.

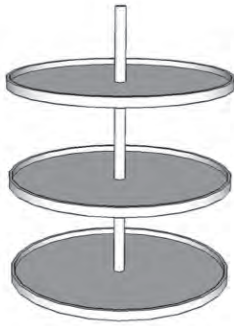
PLYWOOD CLEAT PACK



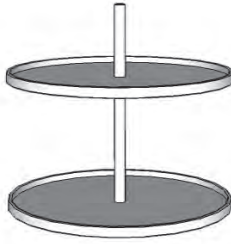
SKU	STAIN	PAINT
CLEATPACK	45	45

- 2 pcs per pack - unfinished
- *5 1/4 is same height as toe board - can use to support diagonal sink floor, countertop support etc.

WALL CABINET LAZY SUSAN KITS WOOD OR POLYMER TRAYS



3-Shelf Lazy Susan Kit fits in 39" high

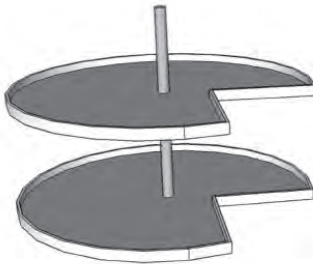


2-Shelf Lazy Susan Kit fits in 30" high

SKU	PRICE
KIT-WLS-3S-PT	466
KIT-WLS-2S-PT	245
KIT-WLS-3S-WD	707
KIT-WLS-2S-WD	471

- PT = Polymer Tray
- WD = Wood Tray

BASE LAZY SUSAN KIT (28" DIAMETER)



SKU	PRICE
BLS28POLYSHELFS	403
BLS28WDSHELFS	548

- Fits in BER36
- BLS28POLYSHELFS has white polymer trays
- BLS28WDSHELFS has wood trays (wood trays mount on an adjustable shelf - not a pole and must be installed as cabinet is built - will not fit in cabinet after assembly.)

WASTE BASKET KIT



SKU	PRICE
KIT-BWB15	680
KIT-BWBD18/21	786

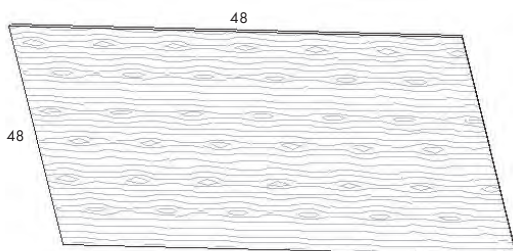
- Single Garbage Can Holder fits in B15 & VB15
- Double Garbage Can Holder fits in B18 and B21
- Each garbage can has 35 quart capacity
- Garbage can included is grey

LAUNDRY HAMPER KIT



SKU	PRICE
KIT-BLH18	786

- Kit fits in B18



SKU	PRICE
SG1/4-4848	230

- Comes as a Natural UV treated
- Matches natural interior of cabinet

TRIM & ACCESSORIES

LAUNDRY HAMPER & WASTE BASKET



LAHAMPER
Laundry Hamper



WBASKET
Waste basket
35 Qt. Capacity

SKU	PRICE
LAHAMPER	153
WBASKET	66

BUMPERS

	SKU	PRICE
20 PACK OF BUMPERS (NOT SHOWN)	BUMPER20	8
100 PACK OF BUMPERS (NOT SHOWN)	BUMPER100	24

SHELF CLIPS & PINS

	SKU	PRICE
PACKAGE OF 8 SHELF CLIPS	SHELFCLIP8	4
PACKAGE OF 50 SHELF CLIPS	SHELFCLIP50	12
PACKAGE OF 8 METAL SHELF CLIPS	MTSHELFCLIP8	21

TOUCH UP KITS

	SKU	PRICE
TOUCH-UP KIT - WHITE	TUK-WHM	106
TOUCH-UP KIT - SMOKED CASHEW	TUK-CS	1265
To order a carton of TUKs, Add "-CT" to TUK part number. IE: TUK-WHM-CT		

PAINT & STAIN

	SKU	STAIN	PAINT
PINT OF STAIN OR PAINT	PINTSP	215	215
12 OZ. SPRAY CANS OF PAINT AVAILABLE IN ALL COLORS	PAINT12-OZ	196	196
BLENDER	BLENDER	60	60

- Painted material is for use in factory environment and must be sprayed with professional equipment ONLY.
- Glaze for ivory only available in touch up pens

ADJUSTABLE SHELF KITS

	SKU	PRICE
28 ¼ X 10½	ASK3012-PBD	126
34¼ X 10½	ASK3612-PBD	153
10¼ X 22¼	ASK1224-PBD	118
13¼ X 22¼	ASK1524-PBD	131
16¼ X 22¼	ASK1824-PBD	145
19¼ X 22¼	ASK2124-PBD	158
22¼ X 22¼	ASK2424-PBD	172
28¼ X 22¼	ASK3024-PBD	199
34¼ X 22¼	ASK3624-PBD	242

- Include 2 shelves and 8 Clips
- Adjustable shelf kits match interior of standard cabinet

BLS36 REPLACEMENT SHELF AND TRAY

SKU	PRICE
BLS36-REPSHELF	808



TRIM & ACCESSORIES

BELLA SOFT CLOSE HINGE 1/2" OVERLAY

Bella Standard hinge - 1/2" overlay

SKU	PRICE
HINGESC-12MM	14

STANDARD HINGE 1 1/4" OVERLAY SOFT CLOSE

Soft Close hinge - 1 1/4" overlay

SKU	PRICE
HINGESC-32MM	14

DTC HINGE RESTRICTOR

Technical Details:

- Restrictor clip limits opening angle of door to 86 degrees.
- These Restrictor Clip Hinges limit the opening angle of the door from 107 degrees to 86 degrees. Ideal for corner cabinets, adjacent cabinets whose doors open against one another, or any other cabinet where obstacles near the door or the door itself would be damaged by opening.
- 2 per 30" and below
- 3 per 39" and above

SKU	PRICE
HINGESC-DTC86R	16
DTC86CLIP*	2

Clip Only



SOFT CLOSE HINGE INSERT (TO EXISTING NON-SOFT CLOSE BELLA HINGES)

Soft close insert for 1/2" Overlay Hinge

SKU	PRICE
SC-INSRT-1232MM	6

Requires 2 -3 hinges per door, based on height

BER/BLS STILE HINGE BELLA (165°)

SKU	PRICE
HINGE165-12MM	18

Requires 2 -3 hinges per door, based on height

BER/BLS STILE HINGE (165°)

SKU	PRICE
HINGE165-16MM	18

Requires 2 -3 hinges per door, based on height

BER/BLS CENTER HINGE BELLA (135°)

SKU	PRICE
HINGE135-CH	18

"TANDEM TYPE" DRAWER SLIDE - FULL EXTENSION SOFT CLOSE

	SKU	PRICE
24" "tandem type" drawer slide - full extension soft close	SLD-24-FEXT	75
21" "tandem type" drawer slide - full extension soft close	SLD-21-FEXT	75
18" "tandem type" drawer slide - full extension soft close	SLD-18-FEXT	75
15" "tandem type" drawer slide - full extension soft close	SLD-15-FEXT	75
12" "tandem type" drawer slide - full extension soft close	SLD-12-FEXT	75

- Slides come in pairs. Boots included

BLUM TANDEM DRAWER SLIDE - FULL EXTENSION SOFT CLOSE

	SKU	PRICE
(533 mm/20 ⁶³ / ₄ " slide) used in 24" deep cabinet	SLD-24BLM-FEXT	100
(457 mm/17 ⁶³ / ₄ " slide) used in 21" deep cabinet	SLD-21BLM-FEXT	100
(381 mm/15" slide) used in 18" deep cabinet	SLD-18BLM-FEXT	100
(305 mm/12 ¹ / ₄ " slide) used in 15" deep cabinet	SLD-15BLM-FEXT	100
(229 mm/9 ¹ / ₄ " slide) used in 12" deep cabinet	SLD-12BLM-FEXT	100

- Slides come in pairs. Boots included

BULK PACK PULLS & KNOBS WITH SCREWS



BPULL-BRNICK-10PC

Brushed Nickel
 8-32 thread
 Screw centers 96 mm (3¾")
 Overall length 150 mm (5¾")

	SKU	PRICE
10 PACK BRUSHED NICKEL BAR PULL	BPUL-BRNCK-10PK	60
1 BRUSHED NICKEL BAR PULL	BPUL-BRNCK-1PC	7

- Installation of hardware on assembled cabinet not included
- Hardware 10 packs include 1¾ Break Off Screws

ADDITIONAL/EXTRA PACKS OF SCREWS

	SKU	PRICE
20 DOOR SCREWS 1¼"	SCRDOOR1-1/4	4
20 DRAWER SCREWS 1¾"	SCRDRAW1-3/4	5
20 BREAK OFF SCREWS 1¾"	SCRBRKOFF1-3/4	7

GREEN FOREST CABINETRY

5 YEAR LIMITED WARRANTY

COVERAGE OF WARRANTY

The subject of this warranty covers cabinets only. Hardware, installed or otherwise, is not covered under this warranty. This warranty is subject to all limitations, exclusions, disclaimers and procedures set forth herein. All cabinets purchased from **Green Forest** are warranted to the original purchasing consumer for 5 years from the date of the original purchase or as long as the original purchasing consumer owns the home, whichever is less, against unnatural defects in material and workmanship under normal residential use. Any use of **Green Forest** products other than for residential use are not covered under this warranty. This warranty is non transferable and does not cover cabinets sold or shipped outside of the United States. Should **Green Forest** cabinets fail during the applicable warranty period due to defects in the material or workmanship under normal use, **Green Forest**, in its discretion, will repair or provide the parts necessary to replace the defective products.

EXCLUSIONS

This warranty supersedes any and all previous warranties by **Green Forest** and constitutes the exclusive remedy against **Green Forest** Cabinetry for all defects, damages and workmanship. There are no implied warranties extending beyond the terms of this warranty. **Green Forest** shall not be liable for any incidental or consequential costs, expenses or damages. This warranty gives you specific legal rights, and you may also have other rights, which vary from state to state. It is possible that one or more of the limitations and exclusions in this warranty may not apply to you. This warranty does not cover the cost of installation, removal, subsequent damage or transportation of the defective product, regardless of whether the work was performed by a contractor, service company or the consumer.

LIMITATIONS

This warranty does not cover

- Any issue that is associated with or the result of cabinets not assembled by **Green Forest**
- Hairline cracks in painted face frame joints.
- Problems caused by unauthorized services, improper installation of cabinets, cabinetwork, drawer slides or hinges.
- SKUs that have been modified from its original form.
- Any products used or uninstalled in connection with cabinets, such as gas or electric appliances, counter tops, or plumbing fixtures.
- Damage caused by transportation, storage, dirt, exposure to moisture or excessive heat or cold, nor does it cover defects arising from regular wear and tear, misuse, neglect, accidents, alterations, improper use or failure to maintain properly.

No installer, retailer, distributor, agent or employee of **Green Forest** has the authority to alter the obligations or limitations in this warranty.

DISCLAIMERS

The following is a brief recap of some of the characteristics of the wood and finishes on the cabinets you are about to purchase. Please read them carefully. If some of these characteristics concern you, please choose something else. We bring these characteristics to your attention so you will realize that **Green Forest** will not be

held responsible for these variations in your cabinetry.

WOOD AND COLOR VARIATIONS: Wood is a product of nature, and since no two trees are alike, cabinets may vary in color, texture and grain. Naturally occurring wood characteristics such as variations in color, grain, mineral streaks, pinholes, and knots are not considered defects. Color variations in cabinets are also a natural occurrence due to species, age, character of cabinets, and exposure to UV light and sunlight. For these reasons, new and/or replacement cabinets may not match display samples and/or existing cabinets. This may result in overall color variations, but is not considered a defect.

GLAZED FINISHES: A glazed finish by character is an uneven finish. Some edges and profiles will have heavier hang up than others and glazing may vary cabinet to cabinet, door to drawer and SKU to SKU. This may result in overall color variations but is not considered a defect.

PAINTED FINISHES: Wood by nature will undergo expansion and contraction movements year after year as it compensates and adjusts to ever changing atmospheric humidity and temperature conditions. As such, finish stress lines may become visible on painted cabinets especially at the joints. Any such occurrence is not considered a defect and are not covered by this warranty.

WARRANTY PERFORMANCE

If a defect does occur within the terms and conditions of this warranty, such defective part will be repaired by **Green Forest** at its sole discretion. **Green Forest** will not provide or pay for the cost of removal of defective product, transportation of defective, repaired or replaced product or installation of repaired or replaced product. **Green Forest** will not be responsible for any shipping damages to the defective, replaced or repaired product. If defective SKU has been discontinued or is not available at the time, **Green Forest** reserves the right to replace the SKU with the most similar SKU available at that time. **Green Forest** may require, at its discretion, that the customer submit a clear photo, or that the company representative view the SKU being claimed before honoring this warranty.

THIS WARRANTY IS THE EXCLUSIVE WARRANTY OF GREEN FOREST AND IS IN LIEU OF AND GREEN FOREST DISCLAIMS ALL OTHER WARRANTIES, EXPRESS OR IMPLIED, INCLUDING THE IMPLIED WARRANTIES OF MERCHANTABILITY AND FITNESS FOR A PARTICULAR PURPOSE.

CLAIMS

To submit a claim covered under this warranty, the original proof of purchase or a copy must be provided. Please e-mail all documents to ordering@greenforestcabinetry.com

RETURNED MATERIALS & RETURN MATERIAL AUTHORIZATION

Please do not send back any SKUs to **Green Forest** prior to receiving proper authorization from customer service.

Green Forest takes no responsibility on any SKUs sent back to **Green Forest** without proper return authorization.



Simply Quality, Simply on Trend and Simply Affordable.

At Green Forest Cabinetry, we keep things simple. Our values, standards and decades of manufacturing experience, as well as how “uncorporate” we are, have led to our cabinets being the best value in the market.

Quality and value that you would be proud to have in your own home.

When you buy Green Forest Cabinetry, you’re investing in higher quality at lower prices and better margins for your own business.

Don’t over-complicate it – remember, simple *is* affordable.

www.greenforestcabinetry.com

All photos are representative of actual Green Forest cabinetry. Please review an actual product sample with your dealer before making your final design decisions.

